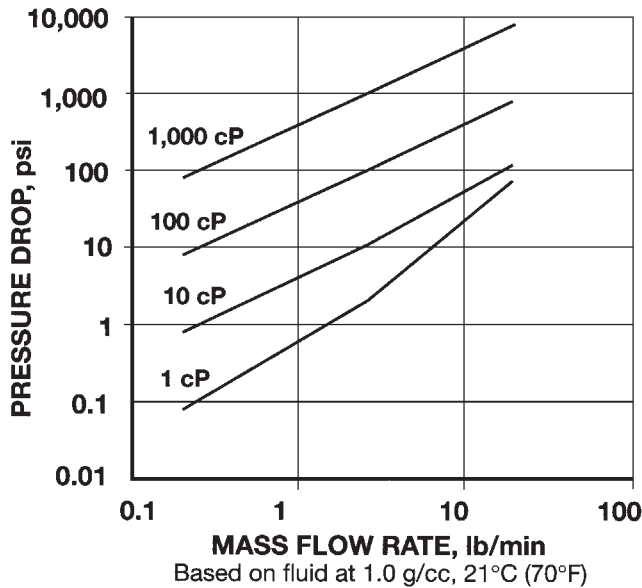
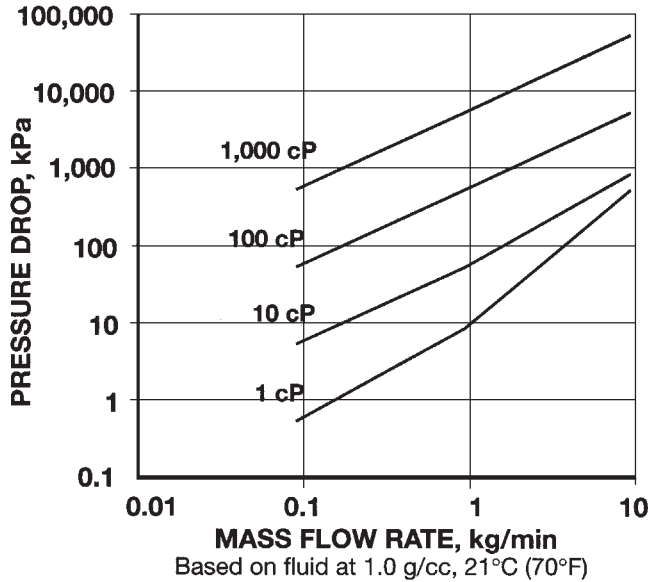


PRESSURE DROP VERSUS FLOW RATE



CALCULATING ACTUAL ACCURACY

Use the following formula to calculate \dot{m} [®] accuracy for your selected flow rate:

Datamate: % accuracy, $\pm(\text{actual}) = \{[(0.0015 m) + S_0] / m\} \times 100\%$

Nexgen: % accuracy, $\pm(\text{actual}) = \{[(0.0010m) + S_0] / m\} \times 100\%$

where:

m = mass flow rate, kg/min or lb/min

S₀ = zero stability, kg/min or lb/min for the m012 flowmeter

Note that Actaris offers a free selection program on three 3-1/2" diskettes to assist you in your selection.

DETERMINING PRESSURE DROP

1. Flow rate vs. pressure drop varies with viscosity. To approximate m012 pressure drop for fluids with viscosity approximating that of water, locate the point on the 1-cP curve corresponding with your desired flow rate.
2. From that point, locate the nearest horizontal line and follow it to the vertical scale on the left, which indicates pressure drop for the flow rate you selected.
3. Divide the pressure drop indicated on the graph by the specific gravity (S) of the process fluid:

$$\Delta P_{\text{actual}} = \Delta P_{\text{plotted}} / \text{Sp. gr.}$$

m012 MASS FLOWMETER ORDERING INFORMATION

MODEL NUMBER		DESCRIPTION
M012	X X X X X	
	2 8 S	TYPE Transducer 1/8" Hastelloy [®] C-22 ¹ Transducer 1/8" SST ¹ Transducer 1/8" SST Sanitary Tri Clamp ¹
	000 212 213 801 812 813 XXX	FLANGE 1-1/2" 3A SST Sanitary Tri Clamp 1/2" 150 LB ANSI RF Hastelloy [®] C-22 1/2" 300 LB ANSI RF Hastelloy [®] C-22 3/8" CAJON VCO ² 1/2" 150 LB ANSI RF SST 1/2" 300 LB ANSI RF SST Special - Contact Factory
	0 2 3	APPROVALS General Purpose CSA LCIE
	000 101 102 103 105 110	CABLE No Cable ASM CBL Kit 10 Ft. ³ ASM CBL Kit 20 Ft. ³ ASM CBL Kit 30 Ft. ³ ASM CBL Kit 50 Ft. ³ ASM CBL Kit 100 Ft. ³
	0 D N	ELECTRONICS No Electronics For Use With Datamate For Use With NexGen

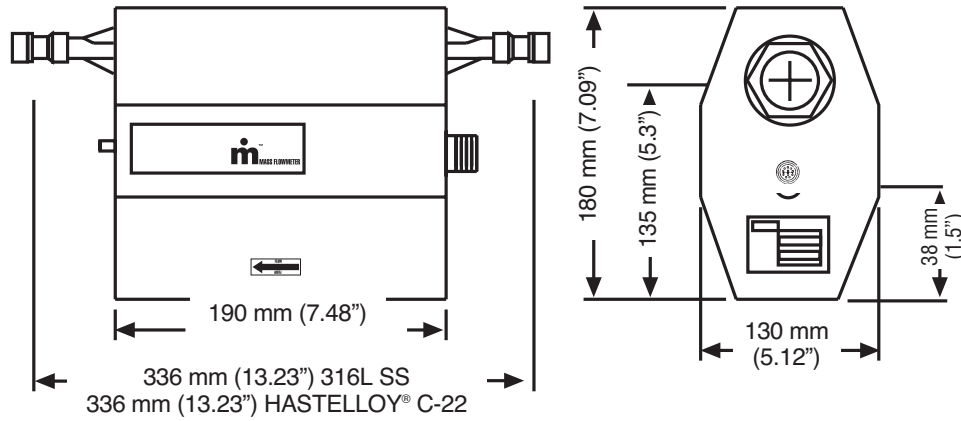
¹ Wetted materials and connection materials must be the same.

² Only available as 3/8" female CAJON VCO[®] connections. Requires male CAJON VCO 8-VCO by SWAGELOCK[®].

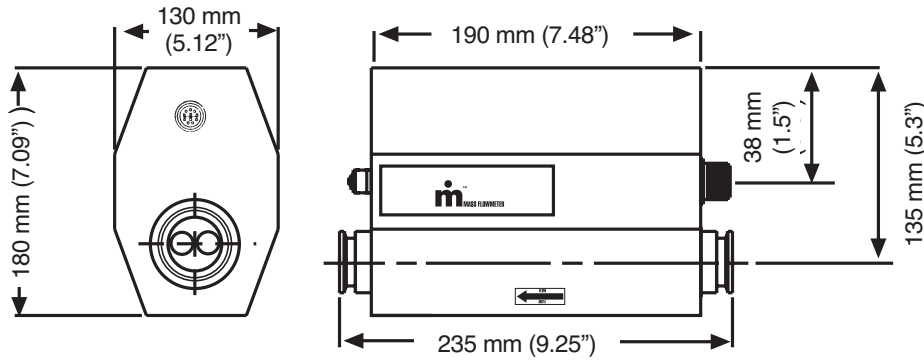
³ For a complete list of available cable lengths, consult your local Actaris distributor.

DIMENSIONAL DATA, mm (in.)

m012 3/8" VCO Transducer

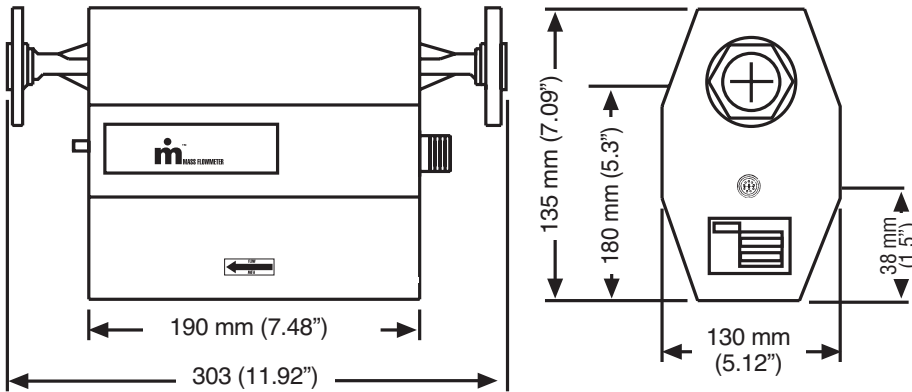


m012 3A-Authorized Transducer



Optional 1-1/2" x 1/2" Tri-Clamp® eccentric reducers are available.

m012 ANSI RF Transducer



Connection	Dimensions	
	A	A ¹
316L SS	Hastelloy	
Wetted Parts	C-22 Wetted Parts	
1/2! 150# ANSI RF	303 (11.92)	NA

WEIGHTS OF COMPONENTS

Transducer: approx. 4.6 kg (10 lbs)
 Datamate: approx. 6.6 kg (14 lbs)
 NexGen: approx. 7.1 kg (15.6 lbs)