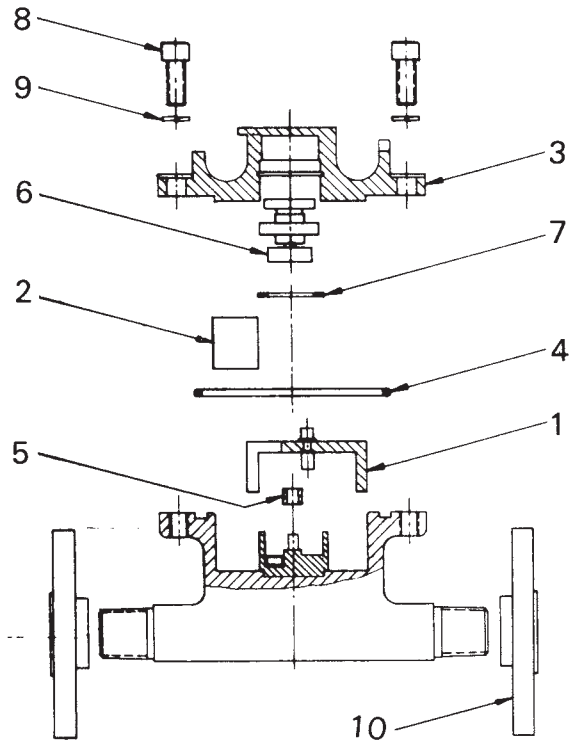


P-150
Rev. A
Type MP Parts List
1/2" Type MP
1" Type MP
2" Type MP
3" Type MP

Parts List for **neptune** Type MP Flowmeters Sizes 1/2", 1", 2" & 3"

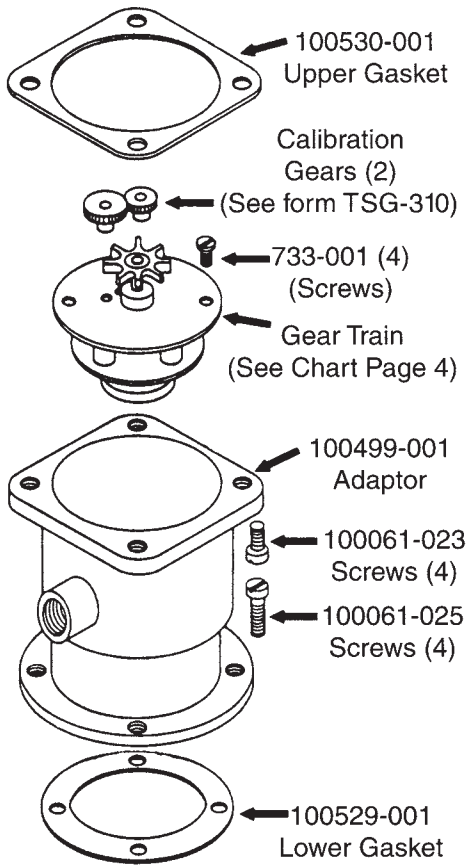


1/2" MP Meter

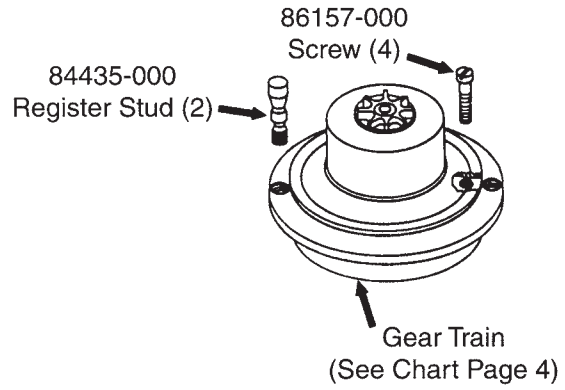


ITEM	PART DESCRIPTION	P/N	QTY
1	Assembly Kit**** Ryton ETFE	101156-701 101156-702	1
2	Diaphragm	101165-001	1
3	Cover	101160-002	1
4	"O"-Ring Seal	008316-707	1
5	Control Roller	101161-001	1
6	Magnetic Drive Assembly Ryton ETFE	101109-001 101109-002	1
7	Retaining Ring	008579-115	1
8	Screw, Socket Hand, Cap 5/16 - 18 x 3/4 SST	008325-026	6
9	Lockwasher (5/16)	100440-004	6
10	1/2" 150 lb. ANSI Flanges	000435-055	2

600 SERIES
(Large Magnet)

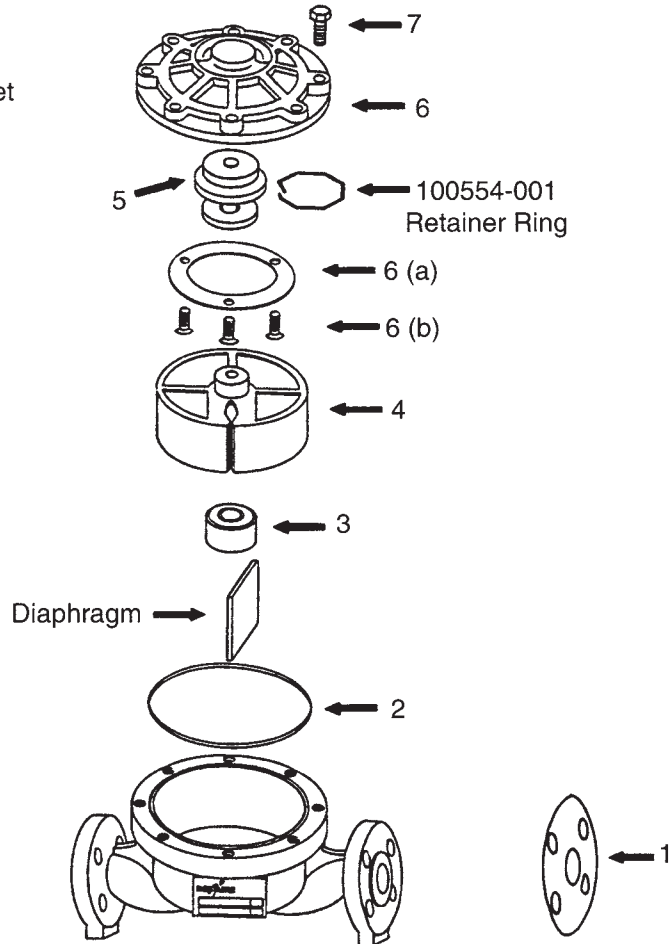


800 SERIES
(Large Magnet)



100062-023
Drilled Screw (1)

100062-025
Drilled Screw (1)



ITEM	PART DESCRIPTION	1" P/N	QTY	2" P/N	QTY	3" P/N	QTY
1	Flange Gaskets Klingersil Teflon	001312-014	1	042948-007	1	000431-011	1
		001312-015	1	042948-011	1	000431-013	1
2	"O" Ring Gasket	008316-701	1	008316-702	1	008316-703	1
3	Control Roller	100380-002	1	100398-002	1	100408-002	1
4	Piston Kit**** Fortron* Vectra* ETFE	100561-701	1	100718-702	1	100960-701	1
		100561-708	1	100718-708	1	100960-705	1
		100561-702	1	100718-703	1	100960-702	1
5	Magnetic Drive Assembly** Large Magnet Fortron Vectra ETFE	100387-003	1	100387-003	1	100387-004	1
		100387-009	1	100387-009	1	100387-010	1
		100387-005	1	100387-005	1	100387-007	1
6	Cover Stainless*** Bronze	100378-003	1	100396-003	1	100406-003	1
		100377-001	1	100395-001	1	100405-001	1
6a	Seal Plate (1" only)	100015-001	1	N/A		N/A	
6b	Seal Screw (1" only)	008325-601	3	N/A		N/A	
7	Main Case Bolts	100067-049	8	100067-050	12	100071-042	18

NOTES: * Fortron and Vectra are registered trademarks of Hoechst Celanese.
Fortron is a Polyphenylene Sulfide (PPS).
Vectra is a Liquid Crystal Polymer (LCP).
ETFE (Teflon)
** Use Large Magnet with 600 & 800 Registers and Pulsers.
*** Stainless cover used on Stainless and Cast Iron Type MP Flowmeters.
**** Piston Kit includes piston, control roller and diaphragm.

MP Flowmeter Piston Material Chart

Flowmeter Material	Standard Piston	Optional Piston
Stainless Steel	"Fortron" *	"ETFE" or "Vectra"
Bronze	"Vectra" *	"ETFE" or "Fortron"
Cast Iron	"Vectra" *	"ETFE" or "Fortron"

**TYPE MP FLOWMETERS
Gear Train Chart**

Flowmeter Size	Units	Register	Part Number	Ratio
1"	1 USG	600 Series	100516-003	8:1
	1 Imp Gal	600 Series	100516-005	12.65:1
	10 lbs	600 Series	100516-005	12.65:1
	10 Liters	600 Series	100516-006	21.72:1
	10 Kilos	600 Series	100516-006	21.72:1
2"	1 USG	600 Series	100516-007	4.66:1
	1 Imp Gal	600 Series	100516-002	5.43:1
	10 lbs	600 Series	100516-002	5.43:1
	10 Liters	600 Series	100516-004	9.32:1
	10 Kilos	600 Series	100516-004	9.32:1
3"	1 USG	600 Series	100516-005	12.65:1
	1 Imp Gal	600 Series	100516-005	12.65:1
	100 lbs	600 Series	100516-005	12.65:1
	100 Liters	600 Series	100516-001	2.33:1
	10 Kilos	600 Series	100516-001	2.33:1
1"	1 USG	800 Series	100418-003	10.125:1
	1 Imp Gal	800 Series	100418-003	10.125:1
	10 lbs	800 Series	100418-003	10.125:1
	10 Liters	800 Series	100418-011	25.42:1
	10 Kilos	800 Series	100418-011	25.42:1
2"	1 USG	800 Series	100418-001	4.25:1
	1 Imp Gal	800 Series	100418-002	5.04:1
	10 lbs	800 Series	100418-002	5.04:1
	10 Liters	800 Series	100418-003	10.125:1
	10 Kilos	800 Series	100418-003	10.125:1
3"	10 USG	800 Series	100418-003	10.125:1
	10 Imp Gal	800 Series	100418-005	14.06:1
	100 lbs	800 Series	100418-005	14.06:1
	100 Liters	800 Series	100418-001	4.25:1

