

The Platinum 700 Cartridge Filter Housing

Ultra high capacity filter
eliminates maintenance by
providing high dirt removal

These new cartridge housings are designed to end the high cost of cartridge change-out. They are offered in three Model 8 styles (LCO, Polypropylene, and Standard Model 8) and Multi-cartridge housings.

Standard Features

- Housings available in carbon steel, 304 or 316 stainless steel and polypropylene
- Pressure ratings in 100, 125, and 150 psi
- Clean and dirty/gage port connections
- O-ring seals: Buna, Ethylene Propylene, Viton®, and Teflon® Encapsulated Viton®
- ASME code stamp available on selected models
- Flanged or threaded connection sizes from 2-inch through 10-inch
- Covers are o-ring sealed and easy to remove
- Leg assembly (excludes CR8)
- Multi-cartridge units are offered in the low profile design, for quick and easy cartridge removal

A single 700 Series cartridge unit will out perform 40 standard wound or 10 pleated cartridges, reducing maintenance. A decrease in cartridge use, reduces labor, inventory, worker exposure and disposal costs. Flow rates and contaminant holding capacities vary depending on micron size. A single cartridge element holds as much as 20 pounds of contaminant and flows to 100 gallons per minute. The labor-intensive v-posts and spring seals are eliminated and cartridges are easily removed, requiring no special tools. Elements are approximately 6.25-inch diameter and 35-inch length. The 700 series filter housings contain one, four, seven, or eighteen cartridges, with a 226-end cap design.



LCO8135



8135



CR8135

For more detailed design information about the 700 Series cartridge element see page 147.

How To Order

Build an ordering code as shown in the example

Example: CR8135 - 2F - 1- 150 - P - B - 700 - C

MODEL NUMBER

Low Pressure, 1 Element = **LCO8135**
 Poly-Pro, 1 Element = **CR8135**
 Model 8, 1 Element = **RCO8135 or 8135**

PIPE SIZE, FLANGED

CR8, Flat Face class 150 = **2F**
 RCO, LCO8, female NPT = **2P**
 Model 8, RF class 150, or FNPT = **2F or 2P**

OUTLET STYLE

Side In/Bottom Out = **1**

PRESSURE RATING

Low pressure = **125 psi**
 Poly Pro = **100 psi**
 Model 8 = **150 psi**

HOUSING MATERIAL

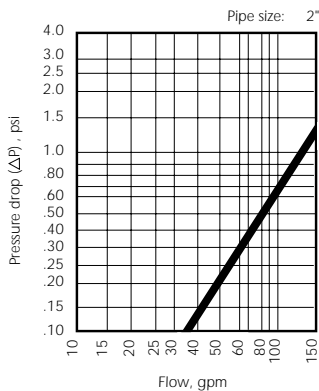
304 Stainless Steel = **S**
 Carbon Steel = **C**
 316 Stainless Steel (Excludes LCO8) = **S316**
 Polypropylene (CR8 only) = **P**

COVER GASKET

Buna = **B**
 Ethylene Propylene = **E**
 Viton® Fluorelastomer = **V**
 Teflon® Encapsulate Viton® = **TEV**
ELEMENT SERIES = **700**

ASME CODE OPTION

ASME Code Stamp (8135 only) = **C**

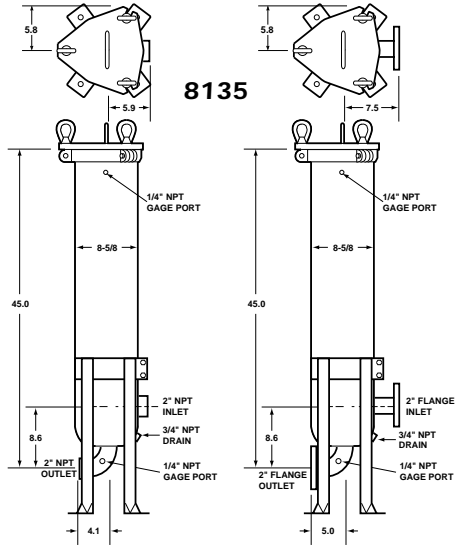
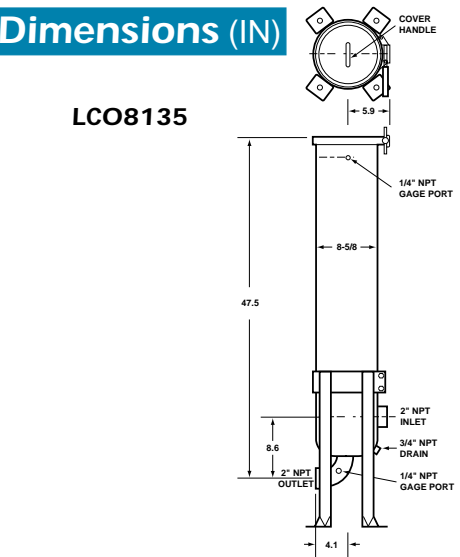


Viscosity Factors

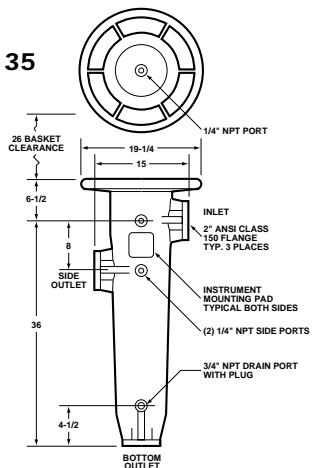
	CPS NUMBER								
1(H ₂ O)	.65	.85	1.00	1.10	1.20	1.40	1.50	1.60	1.80

*Based on housing only. Fluid viscosity, filter cartridge used, and expected dirt loading should be considered when sizing a filter.

Dimensions (IN)



CR8135



How To Order

Build an ordering code as shown in the example

Example: **SLP-18435 - 3F - 1- 150 - S - B - 700 - C**

HOUSING STYLE
Standard Low Profile = **SLP**

MODEL NUMBER
Model 18,4 Elements = **18435**
Model 24,7 Elements = **24735**
Model 36,18 Elements = **361835**

PIPE SIZE, FLANGED
Model 18 = **2F or 3F**
Model 24 = **3F or 4F**
Model 36 = **4F, 6F or 8F**

OUTLET STYLE
Side In/Bottom Out = **1**

PRESSURE RATING
150 PSI = **150**

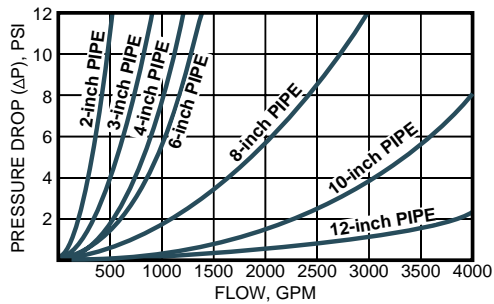
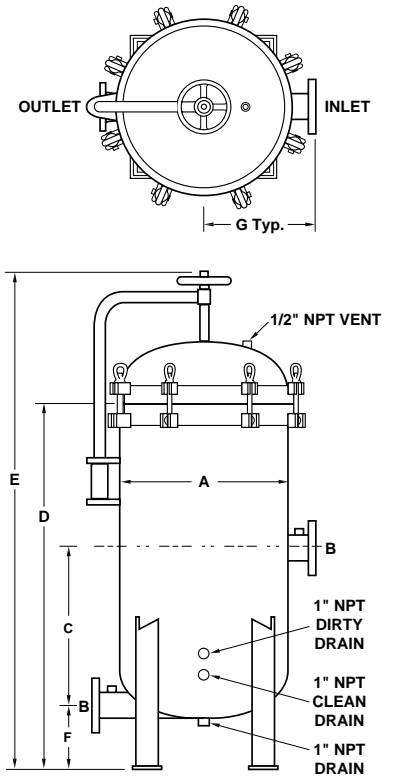
HOUSING MATERIAL
304 Stainless Steel = **S**
Carbon Steel = **C**
316 Stainless Steel = **S316**

COVER GASKET
Buna = **B**
Ethylene Propylene = **E**
Viton® Fluorelastomer = **V**
Teflon Encapsulate Viton® = **TEV**

ELEMENT SERIES = **700**

ASME CODE OPTION
ASME Code Stamp = **C**

Dimensions (IN)



*Based on housing only. Fluid viscosity, filter cartridge used, and expected dirt loading should be considered when sizing a filter.

MODEL NUMBER & Dim. A	Pipe Sizes B	Leg Bolt Circle Dia.	C	D	E	F	G
18	2	16.0	22.2	49.4	68.2	8.00	14.0
	3		21.6	49.8	68.7	9.00	14.0
24	3	22.0	23.1	51.3	71.7	9.00	18.0
	4		22.6	50.8	71.2	9.00	19.0
36	4	34.0	27.4	55.9	77.7	9.50	25.0
	6		26.3	55.9	77.6	10.5	26.0
	8		25.3	55.9	77.6	11.5	27.0