



**MAX FLOW SIZES**  
FROM 5 GPH to 20 GPM  
(20 LPH TO 75 LPM)

MAX LIQUID PRESSURE 300 PSI (20.69 BAR)  
MAX LIQUID PRESSURE 500 PSI (34.48 BAR)  
MAX LIQUID PRESSURE 1500 PSI (103.45 BAR)

**LL SERIES**  
**LP SERIES**  
**LH SERIES**

# Flow meters, Flow switches and Flow transmitters

A piston design for  
low flows of liquids



LL Series, with standard scale and pointer (control box A).

CSA Certified NRTL/C

CE Marked (as noted)

**NIST** Traceable Calibration  
Certificate Available

## DESCRIPTION

These variable-area meters position an orifice over a tapered shaft to establish flow rate. Mounting is in-line and in any position. Straight pipe runs before or after this monitor are not required. The all-mechanical sensing system directly drives the pointer, switches and transmitters.

## READOUTS

The flowmeter has outputs both visual and electronic. Visual displays are either pointer (with inscribed scale) or numeric (digital LCD). Electronic outputs can be mechanical switch closure, 4-20 mA analog or both (for signal redundancy). The switches can be general purpose or rated for hazardous locations (all classes, groups and divisions). The 4-20 mA transmitters are Intrinsically Safe if used with approved barriers.

## CALIBRATION

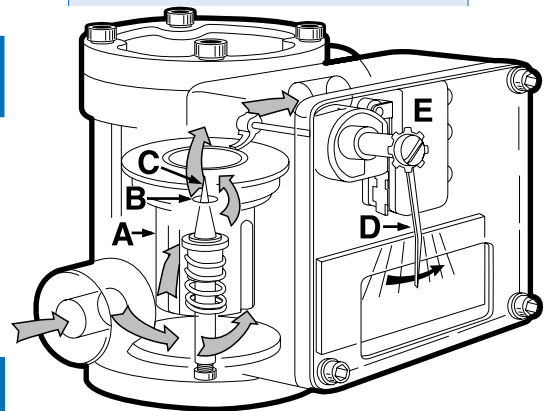
All flow meters are individually calibrated for fluids with the viscosity you specify (up to 3000 SSU/650 Centistokes). We also compensate for your fluid's specific gravity. For NIST Traceability please consult factory.

## CONSTRUCTION MATERIALS

Housings and seals are offered in a variety of materials to suit a wide range of applications, such as: water, oil, coolants, paint, solvents and some corrosive fluids. See selections in the "How to Order" section.

## LINE CONNECTION

Ports can be threaded or flanged. See selections in the "How to Order" section.



Fluid flow causes a spring-loaded piston **A** having a circular opening at its center **B** to move along the axis of a precision-tapered shaft **C**. This creates a variable orifice in direct proportion to the flow rate. The piston is mechanically linked to the readout pointer **D** and actuates switch **E** or a transmitter (not shown).

**HOW TO ORDER** Select appropriate symbols and build a model code number, as in example shown:

**EXAMPLE: LL - B Z P S B 15GH- 4 U- 320V.9 -**

**SERIES BY PRESSURE RATING**

Normal pressure (150 or 300 PSI)	=	<b>LL</b>
Medium pressure (500 PSI)	=	<b>LP</b>
High pressure (1500 PSI)	=	<b>LH</b>

**HOUSING MATERIAL WHERE USED**

Aluminum	Lube oil	=	<b>A</b>
Cast iron, nickel plated	Water, oil with exterior corrosion protection	=	<b>N</b>
Brass	Water	=	<b>B</b>
Cast iron	Oil	=	<b>C</b>
Carbon steel	Oil	=	<b>M</b>
Carbon steel, nickel plated	Water, oil with exterior corrosion protection	=	<b>J</b>
Stainless steel (316)	Chemicals, corrosives	=	<b>Z</b>

**PISTON MATERIAL**

Brass	Water, oil	=	<b>B</b>
Stainless steel (316)	Corrosives, chemicals	=	<b>Z</b>

**CAP MATERIAL**

Metal (same as housing) use matches housing (300 PSI)	=	<b>M</b>
Polysulfone (150 PSI)	=	<b>P</b> (LL only)

**INTERNAL MOVING PARTS**

Stainless steel (300 series)	Standard for oil	=	<b>S</b>
Stainless steel (316 series)	Water, chemicals and corrosives	=	<b>Z</b>

**SEAL MATERIAL**

Buna N	Water, oil	=	<b>B</b>
EPR	Hot water, caustics	=	<b>E</b>
Viton	Acids, some caustics	=	<b>F</b>
Kalrez	Corrosives, solvents	=	<b>J</b>
Kalrez (dynamic) & Buna N (static)	Specialty	=	<b>A</b>
Kalrez (dynamic) and EPR (static)	Specialty	=	<b>H</b>
Kalrez (dynamic) and Viton (static)	Specialty	=	<b>K</b>
Kalrez (dynamic) and Teflon (static)	Corrosives, solvents (Good only with M Cap material)	=	<b>T</b>

**MAX FLOW RATE LIQUIDS**

GPH: 5, 10, 15, 20, 25, 30, 40, 50, 60, 75, 80, 90, 100, 120, 150, 200, 250 & 300	=	<b>GH</b>
GPM: 0.25, 0.5, 0.75, 1, 1.5, 2, 2.5, 3, 4, 5, 6, 7, 8, 9, 10, 15 & 20	=	<b>GM</b>
LPH: 20, 30, 40, 50, 60, 70, 80, 90, 100, 200, 300, 400, 500, 600, 700, 800, 900 & 1000	=	<b>LH</b>
LPM: 5, 10, 15, 20, 25, 30, 35, 40, 50, 60, 70 & 75	=	<b>LM</b>
CMH: 1, 2, 3 & 4	=	<b>CMH</b>

**THREADED ATTACHMENT**

Pipe Size and attachment method	Pipe Size In Inches	NPT	SAE	BSPP	BSPT	Max Flow In GPM
	1/8	1	2T	2BP	2BT	2
	1/4	2	4T	4BP	4BT	5
	3/8	3	6T	6BP	6BT	10
	1/2	4	8T	8BP	8BT	15
	5/8		10T	10BP	10BT	15
	3/4	6	12T	12BP	12BT	20

**FLANGED**

Ex: 2FWCS150RF = 1/4", Welded, Carbon steel, Class 150, Raised Face flange

Pipe Size In Inches	Attachment	Material	Class	Style
2	= 1/4"	FW=Welded CS=Carbon Steel	150	RF=Ansi raised face
3	= 3/8"	FT=Threaded S=316 Stainless	300	
4	= 1/2"		600	
6	= 3/4"			
8	= 1"			

**INLET PORT POSITION**

Upper inline (max. 2 GPM)	=	<b>U</b>
Lower offset	=	<b>L</b>

**FLUID CHARACTERISTICS**

Viscosity number followed by a 'V' (for SSU), 'C' (for centipoise), or 'CS' (for centistokes) followed by the specific gravity. Example: **320V.9** would indicate a fluid with a viscosity of 320 SSU with a specific gravity of .9. For dual viscosities (where there is a start up viscosity or where there may be a range) put in both values with a slash. Example: 320/150V.9.

**A1 W L - C - 5D**

SERVICE		
Oil and dust tight (Type 12)	=	N
Weatherproof (Type 4)	=	W
Weatherproof, corrosion proof (Type 4X)	=	X

FLOW DIRECTION		
Left to right	=	R
Right to left	=	L
Up	=	U
Down	=	D

SPECIAL OPTIONS		
High-temp- 400°F for A & R Box (300°F for transmitter options)	=	HT
Stainless steel ID tag	=	ST
Pin connector with 3-6 pins, mini and micro style available	=	PC
CSA enclosure / PVC window	=	C
Tempered glass window	=	TG
Wall mounting bracket	=	W
Foot mounting bracket	=	F

SWITCH SETTING		
No symbol	=	Lowest possible setting (usually 10% of maximum flow)
Desired set point is assumed to be in flow units already selected (GPH). Give flow rate followed by a "D" for flow going down (flow failure) or a "U" for flow going up.		
Example, 5D indicates a setting of 5 GPH in declining flow.		

**CONTROL BOX & READOUT**

Basic Features ↓	Additional Options ↓	Standard resolution pointer and inscribed scale			High resolution pointer and inscribed scale	Separate junction boxes (with terminal strips) for switch & transmitter
		"A", "L" and "Z" Box			"R" Box	"T" Box
		Materials of Construction				
		Polysulfone	Aluminum	316 Stainless	Aluminum	Aluminum
These options all include inscribed scale and pointer plus one of the standard (non hazardous location) switches selected to the right.	No switch	A0	L0	Z0	R0	
	One SPDT (3 wire), CE	A1	L1	Z1	R1	
	One high vibration SPDT (3 wire), CE	A1B	L1B	Z1B		
	Two SPDT (3 wire), CE	A2	L2	Z2	R2	
	Two high vibration SPDT (3 wire), CE	A2B	L2B	Z2B		
	One SPDT (4 wire)	A3	L3	Z3	R3	
	Two SPDT (4 wire)	A4	L4	Z4	R4	
	One SPDT (3 wire) high temperature	A61	L61	Z61	R61	
	Two SPDT (3 wire) high temperature	A62	L62	Z62	R62	
	One SPDT (3 wire) gold contact	A71	L71	Z71	R71	
Two SPDT (3 wire) gold contact	A72	L72	Z72	R72		
These options all contain inscribed scale with pointer plus hazardous location switches selected to the right. Note that the box is not rated, only the switches.	One SPDT hazardous location (all classes, groups and divisions)				R7	
	One DPDT hazardous location (all classes, groups and divisions)				R17	
	Two SPDT hazardous location (all classes, groups and divisions)				R18	
	Two DPDT hazardous location (all classes, groups and divisions)				R19	
	One SPST hazardous location proximity (all classes, groups and divisions)				R30	
	Two SPST hazardous location proximity (all classes, groups and divisions)				R31	
	One SPDT (3 wire) hermetically sealed	A53	L53	Z53		
	Two SPDT (3 wire) hermetically sealed	A54	L54	Z54		
These options all contain a 4-20 mA transmitter and one of the selections to the right.	No switches (Intrinsicly safe with barrier)	AX0	LX0	ZX0	RX0	TT0
	One SPDT (3 wire), CE				RX1	TT1
	One SPDT (4 wire)				RX3	TT3
	One SPDT (3 wire) high temperature				RX61	TT61
	One SPDT (3 wire) gold contact					TT71
	One SPDT (3 wire) hermetically sealed					TT53
These options all include a 4-20 mA transmitter with a digital LCD display plus one of the selections to the right.	No switches					TTL0
	One SPDT (3 wire), CE					TTL1
	One SPDT (4 wire)					TTL3
	One SPDT (3 wire) high temperature					TTL61

## ENGINEERING DATA

**Maximum fluid temperature:** 200°F (93°C)

**Optional max. fluid temperatures:** 300 & 400°F (148 & 204°C) (option HT)

**Maximum ambient temp:** 150°F (65°C) CSA listed only to 105°F (41°C)

**Series LL max. operating pressures:**

With plastic cap: (3:1 safety factor): 150 PSI (10.34 BAR)  
With metal cap: (3:1 safety factor): 300 PSI (20.69 BAR)

**Series LP max. operating pressures:** (2:1 safety factor): 500 PSI (34.48 BAR)

**Series LH max. operating pressures:** (2:1 safety factor): 1500 PSI (103.45 BAR)

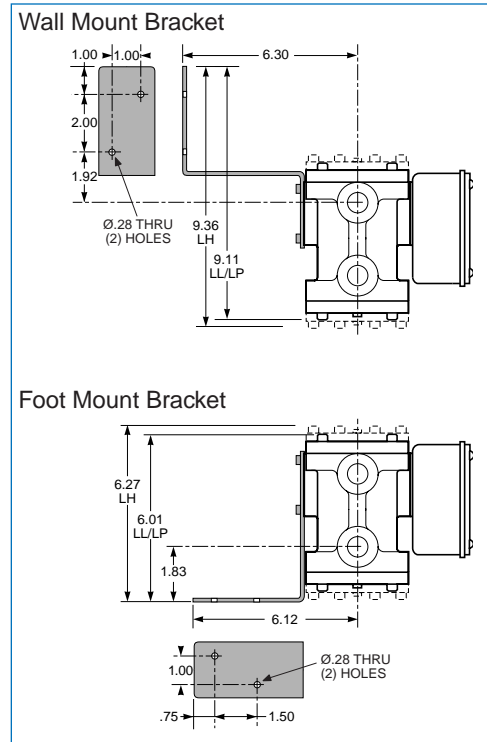
**Pressure drop:** 5 PSI (.35 BAR) at full scale

**Readout accuracy, full scale:** ±5%

**Switch repeatability is 1% of actual flow**

## INSTALLATION

Flow monitors mount in-line or offset and are typically supported by rigid pipe. For additional support when using tubing or flexible hose, order special options **W** (wall) or **F** (foot) mounting brackets.



## SPECIAL OPTIONS

**High temperature:** (option HT) requires all-metal construction (M Cap material) with seals of Viton, EPR, Kalrez or Teflon (compatible with fluid). A thermal barrier (heat-resistant cloth) is added between the housing and the control box, which must be used with service option "W" (weatherproof) or "X" (corrosion resistant). A metal scale is provided.

**Identification tag:** (option ST) customer-supplied information is stamped on a stainless steel tag that is attached to the nameplate.

**Multi-pin connector:** Pin connectors (option PC) are available for rapid field installation. Meters are provided with the male half of either a micro or a mini pin connector. Check the chart below for the number of pins required for your control box selection and current type. Insert the number of pins in the code PC\_\_ for a mini connector or PC\_\_M for a micro connector. For example, a PC5 would be a 5 pin mini and PC5M would be a 5 pin Micro. (See table below for number of pins required for each option.)

**Tempered-glass window:** (option TG) replaces the standard window. A tempered-glass window is employed where airborne solvents or high-ambient temperatures are common.

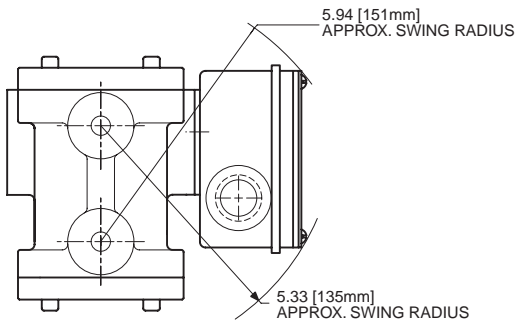
Number of pins required for various combinations of current type, box type and switch option.

Box	AC switch options			1, 1B, 61, 71		3		53
	DC switch options	0	1, 1B, 61, 71	3	2, 2B, 54, 62, 72	5	3	4
A			3	4	6	5	3	4
R			3	4	6	5	3	4
RT		3						
TT		3	3	4			3	4
TTL		3	3	4			3	4

\*This box allows micro pin connectors only. Eg. PC3M or PC5M.

## CONTROL BOX SELECTION GUIDE

### “A” Box

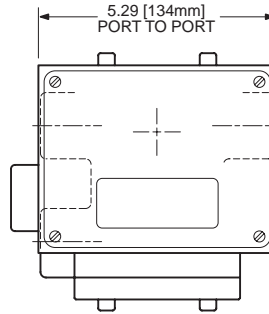


“A” box is selected for price and simplicity.

It holds switches (general purpose and hermetically sealed) or 4-20mA transmitter.

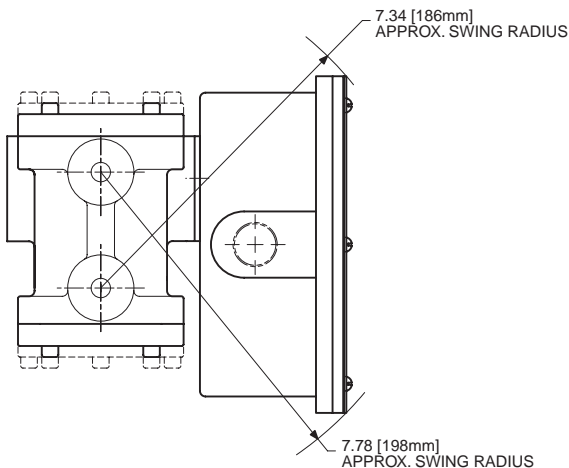
You get this control box when you order any CONTROL BOX & READOUT starting with an “A” (see "How to Order" page). Examples: A1WR is a one switch, weatherproof box with flow from left to right.

This control box is made of Polysulfone (standard low cost “A”) with options for aluminum (“L”) or 316 stainless steel (“Z”).



Maximum installation dimensions

### “R” Box

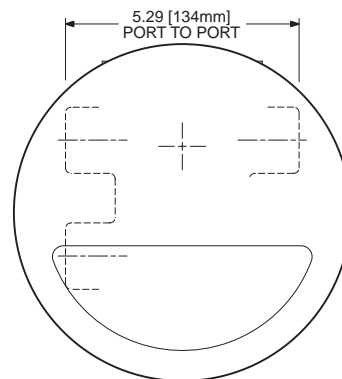


“R” box is selected for greater resolution (more increments on the inscribed scale).

It holds switches (general purpose and hazardous location all classes groups and divisions) and 4-20mA transmitter. Switch (standard service) and transmitter are offered in this control box together when signal redundancy is desired.

You get this control box when you order any CONTROL BOX & READOUT starting with an “R” (see "How to Order" page). Examples: R1WR is a one switch, weatherproof box with flow from left to right.

This control box is made from aluminum that is epoxy coated when ordered for weather proof and corrosion resistant (“X”).



Maximum installation dimensions

## CONTROL BOX SELECTION GUIDE

### “T” Box



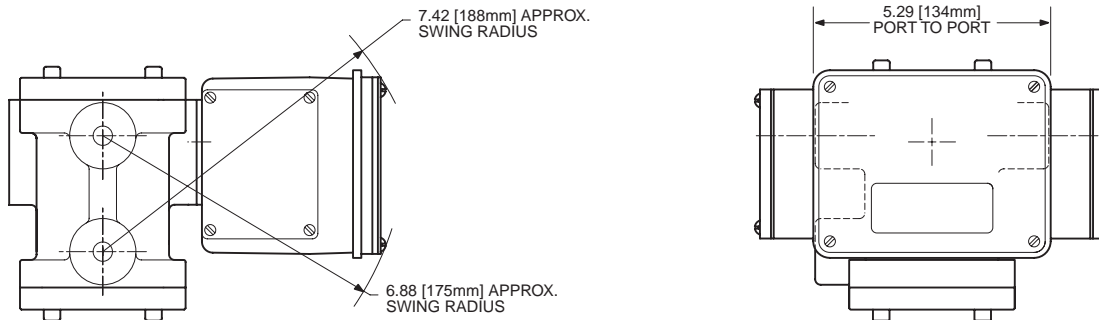
“T” box is selected for availability of two isolated junction boxes with terminal strips. This means that no direct wiring to switches or transmitters is required.

Digital LCD display of flow is optional (“TTL”).

It holds switches (general purpose) and 4-20mA transmitter. Switch (standard service) and transmitter are offered in this control box together when signal redundancy is desired. These are wired to separate junction boxes for signal isolation.

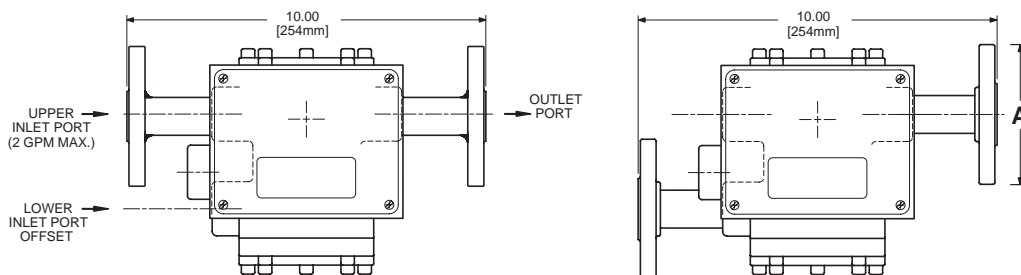
You get this control box when you order any CONTROL BOX & READOUT starting with a “T” (see "How to Order" page). Examples: TT1WR is a one switch with 4-20mA transmitter, weatherproof box with flow from left to right.

This control box is made from aluminum that is epoxy coated when ordered for weather proof and corrosion resistant (“X”).



Maximum installation dimensions

### Flanged Face to Face Dimensions for In-Line and Offset Installation



**With 150 lb R.F. flanges**  
(for other flanges consult factory)

Port Size (inches)	A (inches)
1/2	3.50
3/4	3.88
1	4.25



**Universal Flow Monitors, Inc.**

1755 E. Nine Mile Road ▪ P.O. Box 249 ▪ Hazel Park, MI 48030

Tel: 248-542-9635 ▪ Fax: 248-398-4274

www.flowmeters.com ▪ E-mail: ufm@flowmeters.com