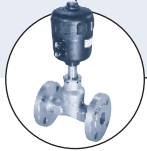


## 3/2-way Direct Mounting Pilot Valve



- Suitable for all Burkert process valves
- Ready for direct mounting
- Reduced power consumption
- Push-over solenoid coil
- Manual override

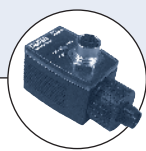
Type 6014P can be combined with...



**Type 2012**  
Globe valve



**Type 1078**  
Timer unit

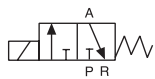


**Type 2512/2511**  
ASI cable plug

The direct acting 3/2-way valve, Type 6014 is a specially developed pilot valve for externally controlled actuators. (e.g. Type 2000, 2012, 2030, 2031). It consists of valve Type 6014 with sub-base connection and a banjo bolt connection.

With the banjo bolt the valve can be fastened very simply to the pilot air port of the actuator.

### Circuit function C



3/2-way valve, NC

Technical data	
<b>Orifice</b>	DN 1.5 and 2.0
<b>Material</b>	Flange body (valve) Banjo bolt Banjo coupler
	Brass or polyamide (PA) Brass, nickel-plated resp. Aluminium, anodized Aluminium
<b>Seal material</b>	FKM
<b>Media</b>	Neutral gases and fluids, compressed air
<b>Media temperature</b>	14°F up to 212°F (-10°C up to +100°C)
<b>Ambient temperature</b>	Max. 131°F (+55°C)
<b>Voltage tolerance</b>	±10%
<b>Duty cycle</b>	100% continuous rating
<b>Electrical connection</b>	Tag connector acc. to DIN EN 175301-803 (previously DIN 43650), Form A for cable plug
<b>Protection class</b>	IP 65 with cable plug
<b>Installation</b>	As required, preferably with actuator upright

Power consumption				
Orifice [mm]	Inrush AC [VA]	Hold AC (hot coil) [VA]	[W]	DC (hot coil) [W]
1.5	11	6	2	2
2.0	24	17	8	8

Response times				
Orifice [mm]	AC		DC	
	Opening [ms]	Closing [ms]	Opening [ms]	Closing [ms]
1.5	ca. 25	ca. 35	ca. 25	ca. 35
2.0	ca. 18	ca. 22	ca. 18	ca. 22

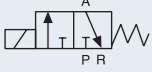
#### Response times [ms]:

Measured at valve outlet at 87 PSI and 68°F (+20°C)

Opening: pressure build-up 0 to 90%, closing: pressure relief 100 to 10%

## Ordering chart for valves (other versions on requests)

All valves with FKM seal and manual override, with standard cable plug Type 2508  
Anodized aluminium banjo coupler, nickel-plated brass banjo bolt

Circuit function	Pressure inlet P (banjo coupler)	Service port A (banjo bolt)	Orifice [mm]	C <sub>v</sub>	Q <sub>Nn</sub> value air [l/min]	Material flange body	Pressure range [PSI]	Power consumption [W]	Item no. per voltage/frequency [V/Hz]			
									024/DC	024/60	120/60	240/60
<b>C</b> 3/2-way, normally closed (NC) 	NPT 1/4	G 1/8	1.5	.08	75	PA	0 – 87	2	429 150	429 151	429 152	429 153
		G 1/4	1.5	.08	75	PA	0 – 87	2	429 138	429 139	429 140	429 141
		G 1/8	2.0	.13	120	Brass	0 – 145	8	429 146	429 147	429 148	429 149
		G 1/4	2.0	.13	120	Brass	0 – 145	8	429 134	429 135	429 136	429 137

### **i** Further versions on request



#### Approvals

ATEX Version (Encapsulation and intrinsically safe)  
UR / UL / CSA

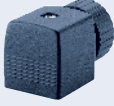


#### Materials

Flange body in stainless steel

## Ordering chart for accessory

### Cable plug Type 2508 according to DIN EN 175301-803 Form A

	Circuitry	Voltage / frequency	Item no.
	None (standard)	0 - 250 V AC/DC	008 376
	further versions see datasheet Type 2508		



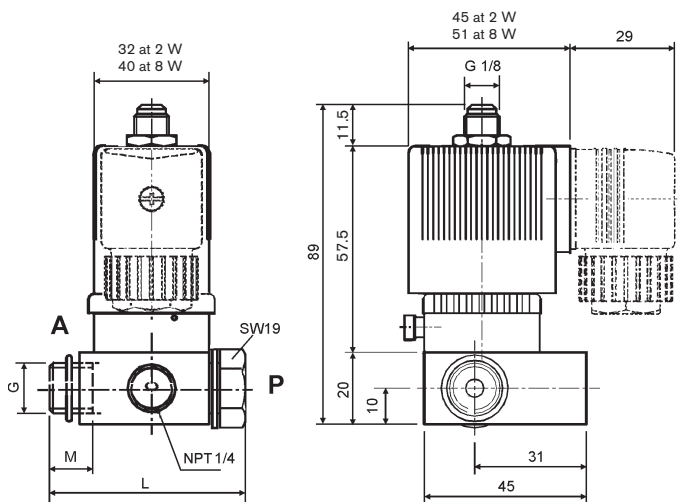
Fixing screw

Flat seal

The delivery of a cable plug includes the flat seal and the fixing screw. For other cable plug versions acc. to DIN EN 175301-803 Form A (previously DIN 43650), see separate datasheet Type 2508.

Dimensions [mm]

Anodized aluminium banjo coupler, nickel-plated brass banjo bolt



G	M	L
G 1/8	10	51
G 1/4	12	54

DTS 1000084665 EN Version: C validé printed: 18.03.2010 Status: RL (released | freigegeben |