

**2mm – 6mm Orifice**



The Type 6013 encapsulation valves are based on a modular concept comprising two basic elements: Valve body and push-over coil with moulded-in cable or with terminal box. The valve body consists of a body to which the armature guide tube containing the plunger, seals and springs is attached. The coil is pushed over the guide tube and thus isolated from the medium. The medium is only in contact with the valve internals and body. Valves are available in polyamide, brass or stainless steel, all with high quality FKM seals as standard.

**Operating Data – Valve**

Pressure range	0 – 140 PSI (see specifications)
Port Connections	Threaded port NPT 1/8" – NPT 1/4" Sub-base connection
Orifice	DN 2.0 up to 6.0 mm
Fluids	
Brass	<ul style="list-style-type: none"> <li>• Neutral gases and liquids, e.g. compressed air, town gas, natural gas, water, hydraulic oil and petrol</li> <li>• Difficult and slightly aggressive media</li> <li>• Suitable for technical vacuum</li> </ul>
Stainless Steel	
Temperatures	
Medium	14°F – 194°F (-10°C – 90°C)
Ambient	-22°F – 140°F (-30°C – 60°C)
Max. viscosity	21 cSt
Response times	
Opening	AC, DC 20 ms
Closing	AC, DC 30 ms
Installation	As required, but preferably with solenoid system upright

**Operating Data – Actuator**

Operating voltages	24, 110, 230 V/UC
Voltage tolerance	±10%
Duty cycle	100% continuously rated
Cycling rate	up to 1,000 c.p.m.
Rating	IP65
Approvals	<ul style="list-style-type: none"> <li>• EEx m II T4 with moulded cable</li> <li>• EEx me II T4 with terminal box</li> </ul>

**Burkert Contromatic USA**  
2602 McGaw Avenue  
Irvine, CA 92614  
Tel. 949.223.3100  
Fax 949.223.3198  
www.burkert-usa.com

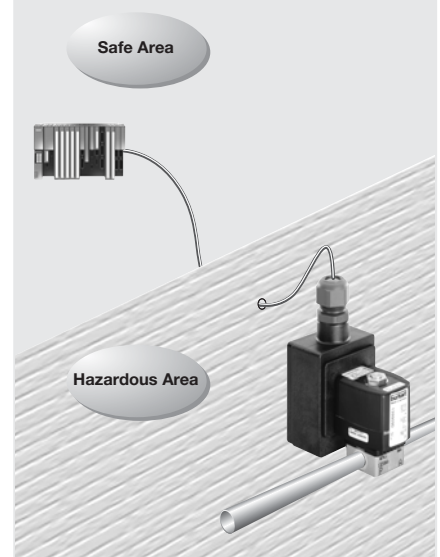
**Burkert Contromatic Inc.**  
760 Pacific Road, Unit 3  
Oakville, Ontario, Canada L6L 6M5  
Tel. 905.847.5566  
Fax 905.847.9006  
www.burkert.ca

**Advantages/Benefits**

- ▶ **EEx m II T4 or EEx me II T4 approved**
- Coil lockable in 4 x 90° positions or freely movable in between, as required**
- High-quality seal material FKM as standard**

**Applications**

- Chemical industry
- Pharmaceutical processing equipment
- Industrial waste water treatment
- Oil and gas industry



**burkert**  
Fluid Control Systems

DTS 1000082563 EN Version: - Status: RL (released | freigegeben | validé) printed: 13.08.2008

**Specifications - Ordering Chart (Other Versions on Request)**

**EEx m II T4 approved**

**Seal material FKM, moulded cable (3 m), single mounting only, without manual override**

Circuit function	Orifice DN [mm]	Port connection [NPT]	Kv-Value (water) [m³/h]	Power consumption [W]	Pressure range [PSI]	Voltage/Frequency [V/Hz]	Item-No. Body material	
							Brass	Stainless Steel
A	2.0	Sub-base	0.11	7	0 – 87	24/UC	139 895 P	–
A	2.0	Sub-base	0.11	7	0 – 87	230/UC	139 896 Q	–
A	2.0	1/8	0.12	9	0 – 140	24/UC	–	155 737 X
A	2.0	1/8	0.12	9	0 – 140	120/UC	–	–
A	2.0	1/8	0.12	9	0 – 140	240/UC	–	–
A	2.0	1/4	0.12	9	0 – 140	24/UC	–	–
A	2.0	1/4	0.12	9	0 – 140	120/UC	–	–
A	2.0	1/4	0.12	9	0 – 140	240/UC	–	–
A	2.5	1/8	0.16	9	0 – 116	24/UC	–	–
A	2.5	1/8	0.16	9	0 – 116	120/UC	–	–
A	2.5	1/8	0.16	9	0 – 116	240/UC	–	–
A	3.0	1/8	0.23	9	0 – 72.5	24/UC	–	155 736 W
A	3.0	1/8	0.23	9	0 – 72.5	120/UC	–	–
A	3.0	1/8	0.23	9	0 – 72.5	240/UC	–	–
A	3.0	1/4	0.23	9	0 – 72.5	24/UC	–	–
A	3.0	1/4	0.23	9	0 – 72.5	120/UC	–	–
A	3.0	1/4	0.23	9	0 – 72.5	230/UC	–	156 540 F
A	4.0	1/4	0.30	9	0 – 17.4	24/UC	–	–
A	4.0	1/4	0.30	9	0 – 17.4	120/UC	–	–
A	4.0	1/4	0.30	9	0 – 17.4	240/UC	–	–
A	6.0	1/4	0.55	9	0 – 5.8	24/UC	–	–
A	6.0	1/4	0.55	9	0 – 5.8	120/UC	–	–
A	6.0	1/4	0.55	9	0 – 5.8	240/UC	–	–

**EEx me II T4 approved**

**Seal material FKM, terminal box (not fused), single mounting only, without manual override**

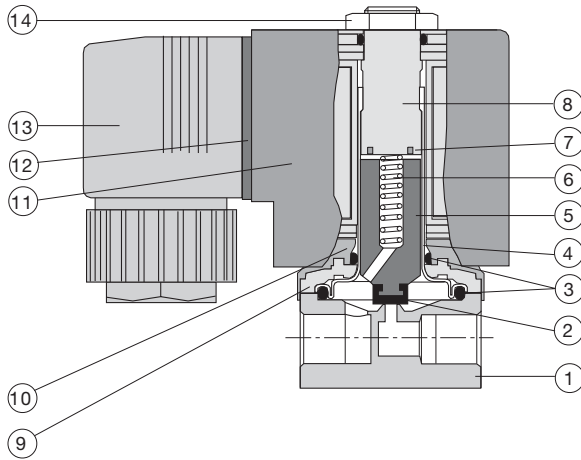
Circuit Function	Orifice DN [mm]	Port connection [NPT]	Kv-Value (water) [m³/h]	Power consumption [W]	Pressure range [PSI]	Voltage/Frequency [V/Hz]	Item-No. Body material	
							Brass	Stainless Steel
A	2.0	1/8	0.12	9	0 – 140	24/UC	–	–
A	2.0	1/8	0.12	9	0 – 140	240/UC	–	–
A	2.0	1/4	0.12	9	0 – 140	24/UC	–	–
A	2.0	1/4	0.12	9	0 – 140	48/UC	–	156 405 V
A	2.5	1/8	0.16	9	0 – 116	24/UC	–	–
A	2.5	1/8	0.16	9	0 – 116	240/UC	–	–
A	3.0	1/8	0.23	9	0 – 72.5	24/UC	–	–
A	3.0	1/8	0.23	9	0 – 72.5	240/UC	–	–
A	3.0	1/4	0.23	9	0 – 72.5	24/UC	–	–
A	3.0	1/4	0.23	9	0 – 72.5	240/UC	–	–
A	4.0	1/4	0.30	9	0 – 17.4	24/UC	–	–
A	4.0	1/4	0.30	9	0 – 17.4	240/UC	–	–
A	6.0	1/4	0.55	9	0 – 5.8	24/UC	–	–
A	6.0	1/4	0.55	9	0 – 5.8	240/UC	–	–

**Accessories (Medium Slow to Blow Fuses)**

Voltage [V]	Power cons. [W]	Fuse rating [mA]	Item-No.
24	7	800	153 737 V
110	7	160	007 070 A
230	7	80	006 840 A
24	9	1000	007 077 V
110	9	250	153 732 Y
230	9	100	007 068 C

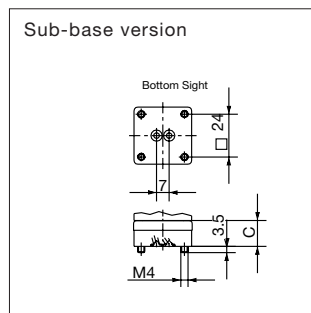
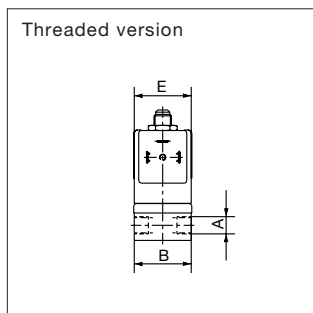
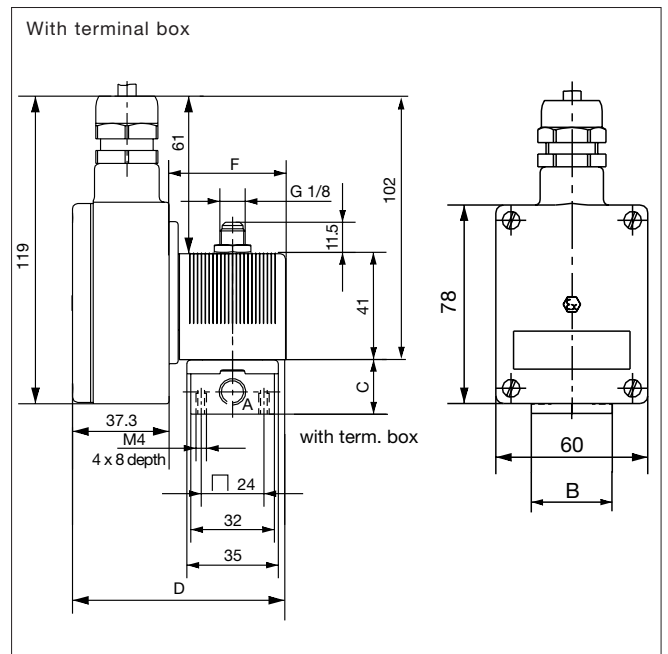
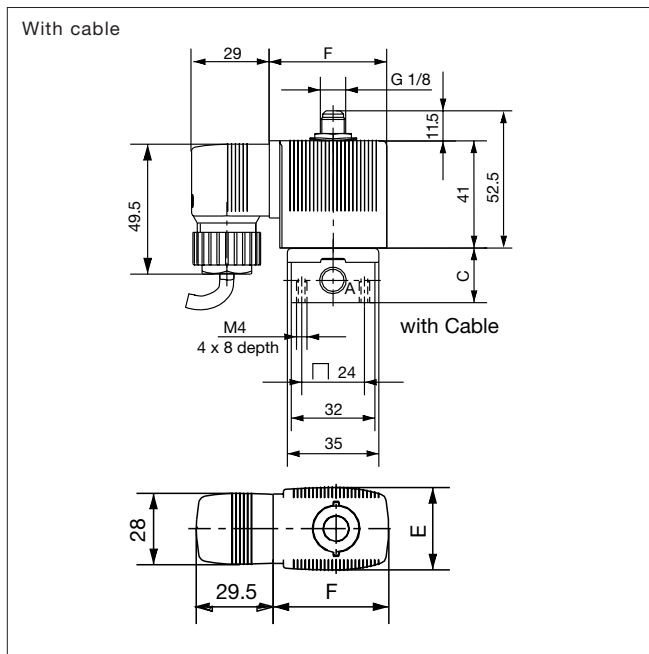
DTS 1000082563 EN Version: - Status: RL (released | freigegeben | validé) printed: 13.08.2008

**Materials**



- 1 Valve body: Brass, SS 1.4305 (1/8" NPT)  
SS 1.4401 (1/4" NPT)
- 2 Plunger-seal: FKM
- 3 O-rings: FKM
- 4 Armature guide tube: 1.4303
- 5 Plunger: 1.4105
- 6 Spring: 1.4310
- 7 Shading ring: Cu (brass version)  
Ag (stainless steel version)
- 8 Stopper: 1.4105
- 9 Flange: Zn3 gl cC (surface)
- 10 Bonnet: Durethan BKV30H
- 11 Coil: PA (Polyamide)
- 12 Flat seal: NBR
- 13 Cable plug: PA (Polyamide)
- 14 Locknut: 9SMnPb28K (surface Zn5glcA)

**Dimensions [mm]**



	Armature						
	A	B	C	D	E	F	Coil size
Threaded Port	1/8	32	20.8	32.6	32	45	32
	1/4	46	26.8	49	40	51	40
Sub-base	1/8	32	14.3	32.6	32	45	32

DTS 1000082563 EN Version: - Status: RL (released | freigegeben | validé) printed: 13.08.2008

DTS 1000082563 EN Version: - Status: RL (released | freigegeben | validé) printed: 13.08.2008

**INDUSTRIAL DYNAMICS CO**

**1-800-940-0453**