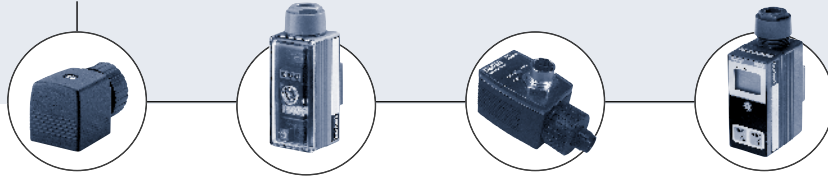


## 3/2-way Solenoid Valve sub-base connection



- 3-way solenoid valve with pivoted armature and manual override
- Direct-acting with isolating diaphragm
- Fast-acting
- For liquid, gaseous and aggressive media
- Long service life, even in non-lube conditions
- 

Type 0331 can be combined with...



**Type 2508**  
Cable plug

**Type 1078**  
Timer unit

**Type 2511**  
ASI cable plug

**Type 8600**  
Dosing control

The Type 0331 is a direct-acting 3/2-way pivoted armature solenoid valve for sub-base mounting. The magnetic system and the media chamber are separated from one another by a separating diaphragm system.

The valve is fast acting and has a long service life, even when run dry.

Power consumption			
Inrush		Hold	
AC [VA]	DC [W]	AC [VA/W]	DC [W]
30	8 or 5	15/8	8 or 5

Technical data	
<b>Orifice</b>	DN 2.0 – 4.0 mm
<b>Body and seat materials</b>	Brass and stainless steel 316
<b>Seal material</b>	FKM
<b>Media</b> NBR EPDM FKM	Neutral media such as compressed air, water, hydraulic oil Oil and fat-free media Hot air, oxygen
<b>Media temperature</b> NBR EPDM FKM	32°F to 176°F (0°C to +80°C) -22°F to 194°F (-30°C to +90°C) 32°F to 194°F (0°C to +90°C)
<b>Ambient temperature</b>	Max. 131°F (+55°C)
<b>Viscosity</b>	Max. 37 cst
<b>Voltage tolerance</b>	±10%
<b>Duty cycle</b>	60% continuous rating when mounted on manifold
<b>Electrical connection</b>	DIN 43650, form A
<b>Protection class</b>	IP 65 with cable plug Type 2508 or 2509
<b>Installation</b>	As required, preferably with actuator upright

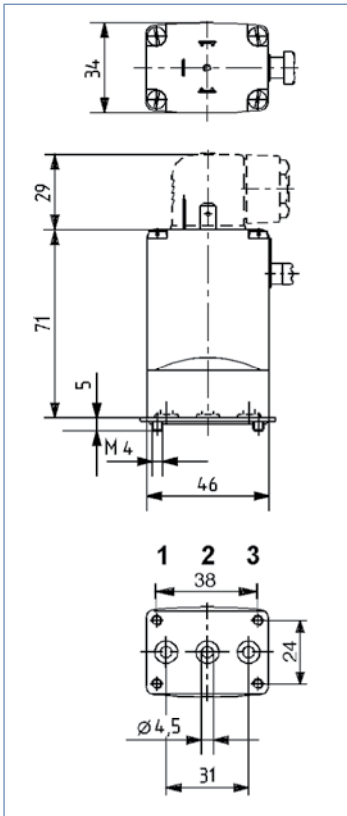
DTS 1000082553 EN Version: - Status: RL (released | freigegeben | validé) printed: 13.08.2008

**Possible connections and dimensions**

Possible connections			
Circuit function	1	2	3
A	P	A	-
B	-	B	P
C	P	A	R
D	R	B	P
E or T	P1	A	P2
F	A	P	B

The ports marked with 1, 2 and 3 in the drawing are marked as in the allocation table, depending on the circuit function.

**Dimensions**

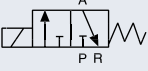
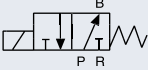
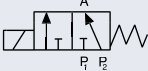


The valves are fitted with different springs. When used in other circuit functions, the permissible operating pressure changes according to the following table.

Circuit function	Max. operating pressure [PSI] for valve use in other circuit function																	
	Orifice 2 [mm]						Orifice 3 [mm]						Orifice 4 [mm]					
WW	A	B	C	D	E	F	A	B	C	D	E	F	A	B	C	D	E	F
C	232	21	232	21	21	232	145	14.5	145	14.5	14.5	145	72	11.6	72	11.6	11.6	72
D	58	377	65	232	58	58	36	145	36	145	29	43	29	72	29	72	29	29
E or T	116	116	145	145	145	116	87	87	87	87	87	87	43	43	43	43	43	43
F	145	21	145	21	21	232	87	14.5	87	14.5	14.5	145	58	11.6	58	11.6	11.6	72

## Ordering chart for valves (other versions on request)

All valves with sub-base connection, manual override and cable plug, body material stainless steel or brass

Circuit function	Orifice [mm]	Port connection	Cv value water [GPM]	Pressure range [PSI]	Seal material	Body material	Voltage/frequency [V/Hz]	Item no. UL Recognized/ CSA/CE Cable plug not included	Item no. UL/FM Class 1, Div 2/CSA/CE Includes 1/2" conduit plug type 2509	
<b>C</b> 3/2-way valve NC 	2.0	Sub-base	0.09	0 – 174	FKM	Stainless steel	024/DC	451 745 G	---	
			0.09	0 – 174	FKM	Brass	024/DC	*450 831 S	453 029 Y	
			0.11	0 – 174	FKM	Brass	024/60	*456 491 Q	453 028 X	
							120/60	*455 518 Z	453 027 N	
							240/60	---	453 264 Z	
	3.0	Sub-base	0.14	0 – 145	FKM	Stainless steel	024/DC	451 751 E	---	
			0.17	0 – 145	FKM	Brass	120/60	460 133 Y	---	
			0.14	0 – 145	FKM		024/DC	*450 829 G	453 266 A	
			0.17	0 – 145	FKM		024/60	---	453 268 L	
						120/60	450 305 K	453 270 J		
				240/60	450 587 W	453 272 G				
	4.0	Sub-base	0.25	72	FKM	Brass	024/60	458 995 T	---	
					120/60		459 002 C	---		
					240/60		459 001 B	---		
<b>D</b> 3/2-way valve NO 	2.0	Sub-base	0.09	0 – 174	FKM	Brass	024/DC	*450 792 B	453 032 K	
			0.11	0 – 174	FKM		024/60	451 757 C	453 031 J	
							120/60	451 758 M	453 030 V	
							240/60	---	---	
	3.0	Sub-base	0.14	0 – 145	FKM	Brass	024/DC	*450 830 D	453 279 P	
			0.17	0 – 145	FKM		024/60	*454 396 W	---	
							120/60	451 764 B	459 041 A	
				240/60	---	---				
	<b>E</b> 3/2-way 	2.0	Sub-base	0.09	0 – 145	FKM	Brass	024/DC	---	---
				0.11	0 – 145	FKM		024/60	---	---
						120/60		453 768 R	---	
						240/60		---	---	
3.0		Sub-base	0.14	0 – 87	FKM	Brass	024/DC	*455 541 Y	---	
			0.17	0 – 87	FKM		024/60	---	---	
							120/60	---	451 927 P	
							240/60	---	---	

Vacuum versions available on request

FM Class1, Div 1, Versions available on request

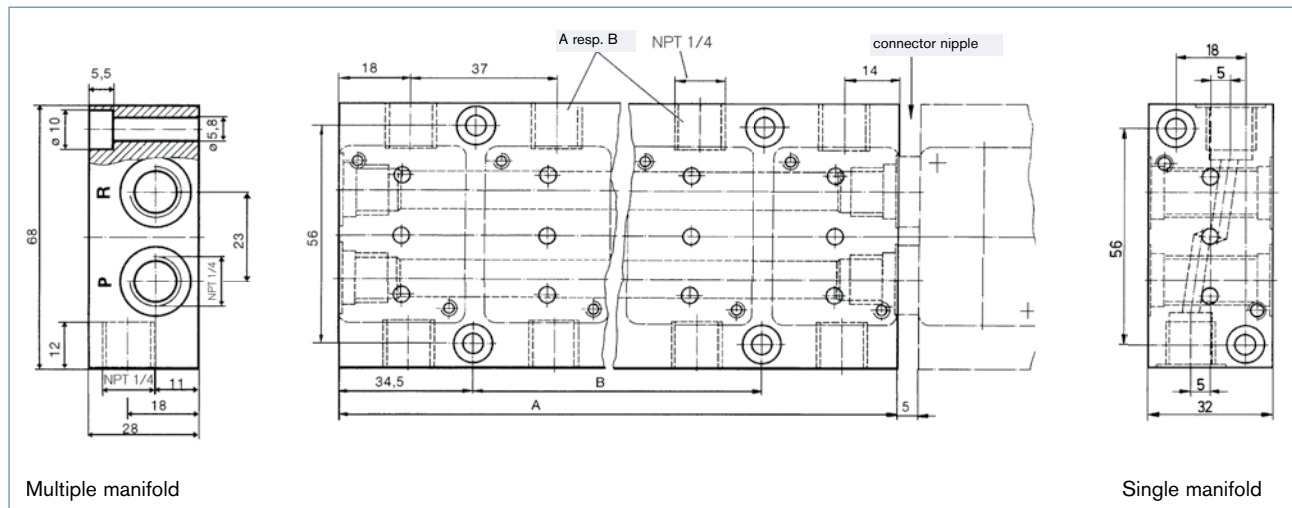
\* CE approved only

\*\* See 2509 datasheet for plug dimensions

**Ordering chart for flange valve manifolds and accessories** (All manifolds made of anodised aluminium)

Manifold	Length A [mm]	Hole spacing B [mm]	Item no.
1 valve	32	-	613 983 J
2 valves	69	-	006 110 W
3 valves	106	37	613 706 C
4 valves	143	74	006 111 K
5 valves	180	111	613 704 A
6 valves	217	148	613 703 H
<b>Accessory parts</b>			
Connector nipple			005 049 F
Covering plate for unused valve positions			005 625 V

**Dimensions**



DTS 1000082553 EN Version: - Status: RL (released | freigegeben | valide) printed: 13.08.2008