

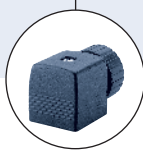


2/2 or 3/2-way Solenoid Valve, with pivoted armature and isolating diaphragm

- Lockable manual override as standard
- For liquid, gaseous and aggressive media
- Long service life, even in non-lube conditions
- Insensitive to contaminated fluids
- Analysis version available

- Approvals:     

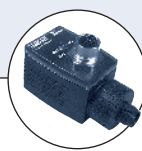
Type 0330 can be combined with...



Type 2508
Cable plug



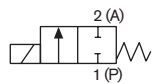
Type 1078
Timer unit



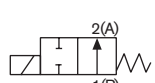
Type 2511
ASI cable plug

The Type 0330 is a direct-acting 2/2 or 3/2-way pivoted armature solenoid valve with a wide range of circuit functions. The magnetic system and the medium are separated by a diaphragm system. The valve is fast-acting and has a long service life, even in non-lube conditions.

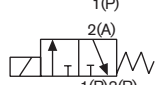
Circuit functions



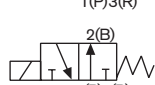
A 2/2-way valve NC



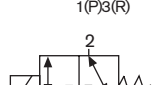
B 2/2-way valve NO



C 3/2-way valve NC



D 3/2-way valve NO



E 3/2-way valve, universal function, any flow direction

Applications

- Water and gas analysis
- Pharmaceutical industry
- Food processing

Technical data

Port connection	NPT 1/4
Orifice	DN 2.0 - 4.0mm
Body and seat materials	Brass and stainless steel 1.4401
Coil material	Epoxy
Coil insulation class	H
Seal material	NBR and FKM (EPDM, FFKM on request)
Media	NBR Neutral media, such as compressed air, water, hydraulic oil FKM Hot air, oxygen, hot oil, per-solution on request EPDM Oil and fat-free media on request FFKM Hot air, oxygen, hot oil, per-solution
Media temperature	NBR 32°F to 176°F (0°C to +80°C) FKM 32°F to 194°F (0°C to +90°C) on request EPDM -22°F to 194°F (-30°C to +90°C) on request FFKM 32°F to 194°F (0°C to +90°C)
Ambient temperature	max. 131°F (+55°C) (min. temperature see media temp.)
Viscosity	max. 37 cSt
Operating voltage	24 V DC, 24 V/60 Hz, 120 V/60 Hz, 240 V/60 Hz further on request
Voltage tolerance	±10%
Duty cycle	100% continuous rating
Electrical connection	Cable plug Type 2508 (DIN EN 175301-803 Form A) for Ø 7 mm cable (supplied as standard)
Protection class	IP 65 with cable plug
Weight [kg]	0.47
Installation	As required, preferably with actuator upright

Technical data, cont.

Power ratings

Orifice [mm]	Power ratings			
	Inrush AC [VA]	Hold AC (hot coil) [VA]	[W]	Hot/cold coil DC [W]
2-4	30	15	8	8 / 11

Response times

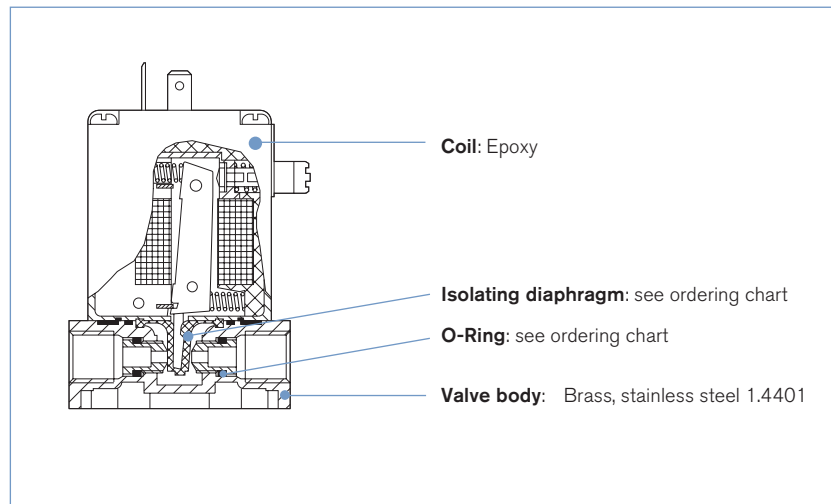
Orifice [mm]	Response times			
	AC Opening [ms]	Closing [ms]	DC Opening [ms]	Closing [ms]
2-4	8-15	8-15	10-20	10-20

Response times [ms]:

Measured at valve outlet at 6 bar and +20 °C

Opening: pressure build-up 0 to 90%, closing: pressure relief 100 to 10%

Materials



Ordering chart for valves (other versions on request)

Circuit Functions	Orifice	C _v ¹⁾	Port Connection [NPT]	Pressure Range [PSI]	Body Material	Seal Material	Voltage ²⁾	Electrical Classifications ³⁾	Item no.						
A	2mm	0.09	1/4	0 – 174	Stainless Steel	FKM	024/DC	–	457 681						
							120/60	–	457 682						
							240/60	–	457 683						
	3mm	0.21	1/4	0 – 145	Brass	FKM	024/DC	UR/CSA	461 284						
							120/60	UR/CSA	460 216						
							240/60	–	457 687						
					Stainless Steel	FKM	024/DC	UR/CSA	459 292						
							120/60	–	457 688						
							120/60	UR/CSA	459 291						
	4mm	0.27	1/4	0 – 72	Stainless Steel	FKM	024/DC	–	457 693						
							120/60	–	457 694						
							240/60	–	457 695						
C	2mm	0.09	1/4	0 – 174	Brass	FKM	024/DC	–	453 692						
							120/60	UR/CSA	450 294						
							120/60	UL/FM/CSA	453 266						
							240/60	UR/CSA	451 708						
							Stainless Steel	FKM	024/DC	UL/FM/CSA	453 223				
									120/60	UR/CSA	450 295				
					120/60	UL/FM/CSA			453 227						
					240/60	UL/FM/CSA			453 229						
					3mm	0.21			1/4	0 – 145	Brass	FKM	024/DC	UR/CSA	451 710
													024/DC	UL/FM/CSA	453 020
							120/60	UR/CSA					450 297		
							Stainless Steel	FKM			120/60	UL/FM/CSA	453 018		
	240/60	UR/CSA	451 714												
	024/DC	UR/CSA	451 711												
	4mm	0.27	1/4	0 – 72	Brass	FKM	024/DC	UR/CSA	451 716						
							024/DC	UL/FM/CSA	453 235						
							120/60	UR/CSA	451 720						
							120/60	UL/FM/CSA	452 863						
							240/60	UR/CSA	451 722						
							Stainless Steel	FKM	024/DC	–	454 261				
					024/DC	UL/FM/CSA			453 236						
					120/60	UR/CSA			451 721						
					120/60	UL/FM/CSA			453 239						
					240/60	UL/FM/CSA			453 241						
240/60					UL/FM/CSA	453 241									

Notes:

- 1) C_v reduced 20% with DC current operation.
- 2) 120/56 suitable for 50Hz or 60 Hz power.
- 3) • U.R. is a U.L. recognized component.
 - U.L. is U.L. listed for general purpose applications.
 - FM is FM approved for Haz location CL 1, Div 2, Groups A, B, C, and D.
 - UL/FM/CSA approved valves come with Type 2509 series conduit plug.

Vacuum versions available on request.

Ordering chart for valves ...continued (other versions on request)

Circuit Functions	Orifice	C _v ¹⁾	Port Connection [NPT]	Pressure Range [PSI]	Body Material	Seal Material	Voltage ²⁾	Electrical Classifications ³⁾	Item No.
E	2mm	0.09	1/4	0 – 145	Brass	FKM	024/DC	UR/CSA	457 218
							024/DC	UL/FM/CSA	454 762
							120/60	UR/CSA	450 301
					Stainless Steel	FKM	120/60	UL/FM/CSA	454 490
							024/DC	UR/CSA	455 574
							120/60	UR/CSA	453 776
	3mm	0.21	1/4	0 – 87	Brass	FKM	024/DC	UL/FM/CSA	453 026
							120/60	UL/FM/CSA	453 024
							Stainless Steel	FKM	024/DC
					120/60	UR/CSA			453 777
					120/60	UL/FM/CSA			453 558
					4mm	0.27	1/4	0 – 43	Brass
120/60	–	450 795							
240/60	–	454 151							
Stainless Steel	FKM	024/DC	UR/CSA	452 808					
		120/60	UL/FM/CSA	453 634					

Notes:

- C_v reduced 20% with DC current operation.
- 120/56 suitable for 50Hz or 60 Hz power.
- U.R. is a U.L. recognized component.
 - U.L. is U.L. listed for general purpose applications.
 - FM is FM approved for Haz location CL 1, Div 2, Groups A, B, C, and D.
 - UL/FM/CSA approved valves come with Type 2509 series conduit plug.

Vacuum versions available on request.

i Further versions on request



Approvals

Explosion protection (Type 780), ATEX, UL, UR, FM - Ex Div. 1



Voltage

Non-standard voltages



Materials

Seal materials EPDM, FFKM, NBR



Circuit function

B (normally open, 2-way), D (normally open, 3-way) or F (distributing)

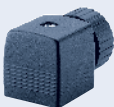


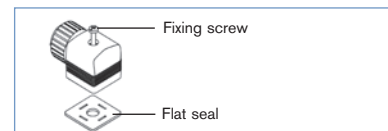
Additional

Impulse version, optical or electrical position feedback, further device combinations

Ordering chart Accessory

Cable plug acc. to DIN EN 175301-803 Form A

	Circuitry	Voltage / frequency	Item no.
	None (standard)	0 - 250 V AC/DC	008 376
	with LED	12 - 24 V AC/DC	008 360
	with LED and varistor	12 - 24 V AC/DC	008 367
	with rectifier, LED and varistor	12 - 24 V AC/DC	008 363
	with LED	200 - 240 V	008 362
	with LED and varistor	200 - 240 V	008 369
	further versions see datasheet Type 2508		

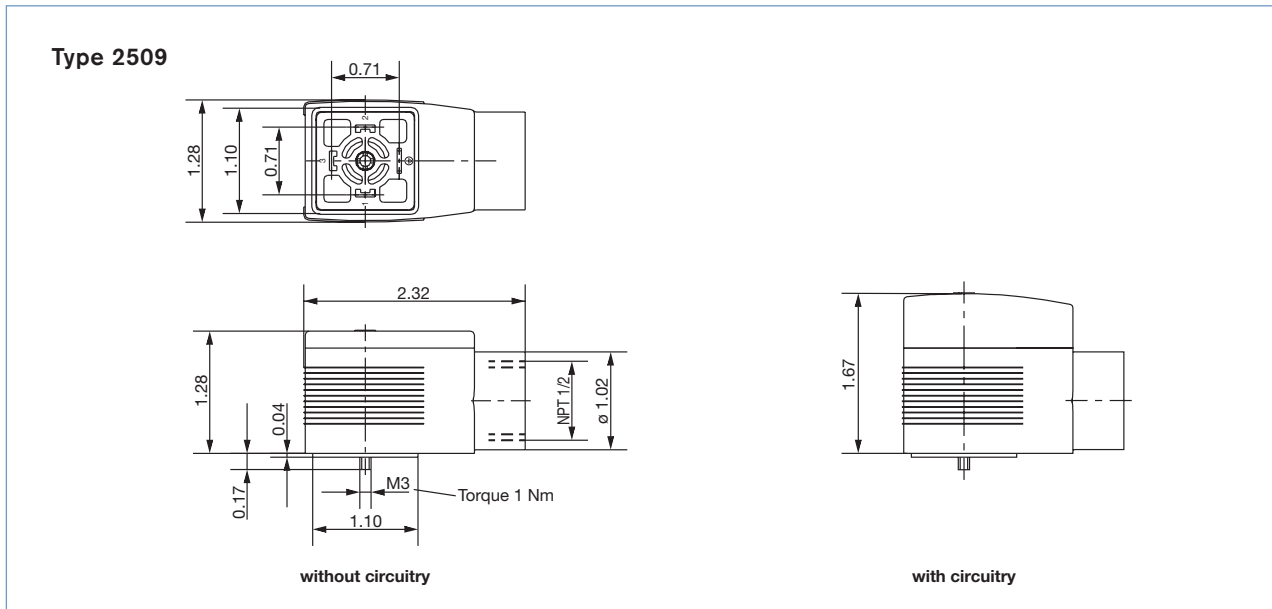
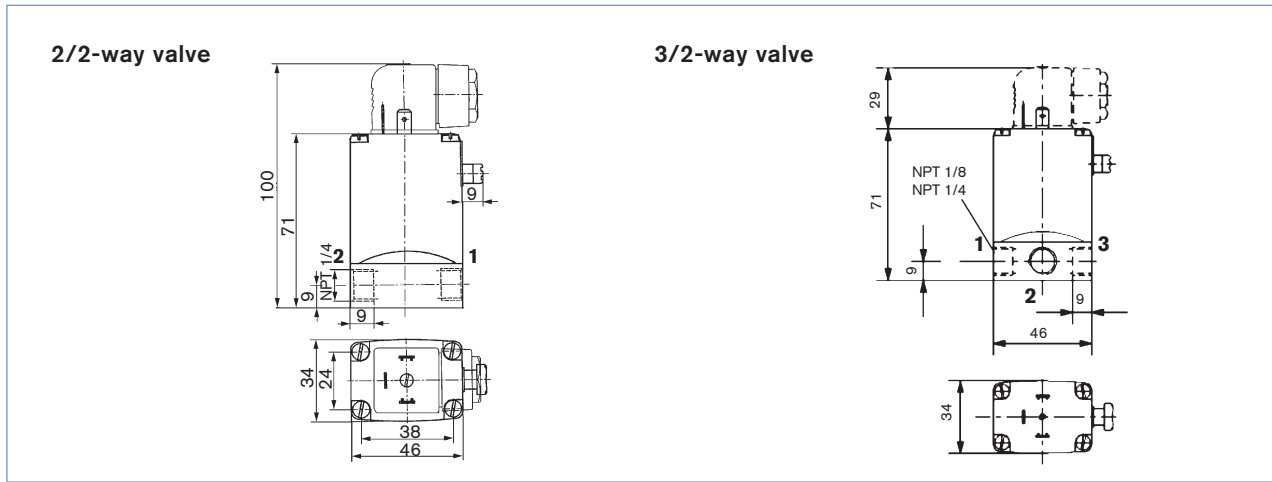


The delivery of a cable plug includes the flat seal and the fixing screw. For other cable plug versions acc. to DIN EN 175301-803 Form A (previously DIN 43650), see data-sheet Type 2508.

Dimensions [mm]

Possible body connections			
Circuit function	1	2	3
A	P	A	-
B	A	P	-
C	P	A	R
D	R	B	P
E	P1	A	P2
F	A	P	B

The connections marked with 1, 2 and 3 are labelled in the drawing according to the circuit function table on the left.



DTS 1000082396 EN Version: A Status: RL (released | freigegeben | validé) printed: 10.07.2008

In case of special application conditions, please consult for advice.

We reserve the right to make technical changes without notice.
© Christian Bürkert GmbH & Co. KG

0802/3_US-en_1000082396