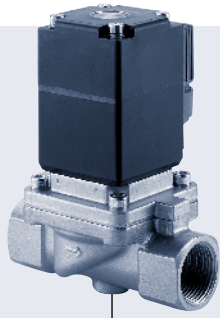
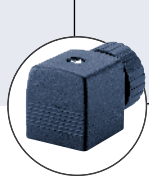


2/2-way Solenoid Valve for gases and fluids



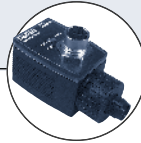
Type 0290 can be combined with...



Type 2508
Cable plug







Type 1078
Timer unit



Type 2511
ASI cable plug



Type 8600
Dosing control

- Universal valve with coupled diaphragm system
- Switches without differential pressure
- For gases and liquids
- Brass and stainless steel bodies
- Seal material NBR, EPDM and FKM
- Approvals:    

Pilot-controlled normally-closed valve with servo-diaphragm, forced valve lifting and coupled magnetic system. The valve switches without differential pressure from 0 bar with gases and liquids.

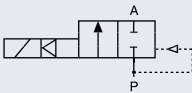
Power consumption		
Orifice	Inrush	Hold
[mm]	[W]	[W]
12	80	6
20 – 40	100	9
50	30	30

Technical data	
Orifice	7/16" – 2" (DN 12 – 50 mm)
Body material	Brass, stainless steel 1.4581
Internal parts of valve	See drawing on page 2
Seal material	NBR, FKM, EPDM
Media NBR FKM EPDM	Neutral media, compressed air, water, hydraulic oil Per-solutions, hot oils, oxygen Oil and fat-free media, e.g., hot water
Media temperature for NBR for FKM for EPDM	14°F to 176°F (–10°C to +80°C) 32°F to 248°F (0°C to +120°C) –22°F to 248°F (–30°C to +120°C)
Ambient temperature	Max. 131°F (+55°C)
Voltage tolerance	±10%
Duty cycle	100% continuous cycle
Electrical connection	Cable plug for Ø 7 mm cable (supplied as standard)
Protection class	IP 65 with cable plug
Installation	As required, preferably with actuator upright

DTS 1000082395 EN Version: - Status: RL (released | freigegeben | validé) printed: 13.08.2008

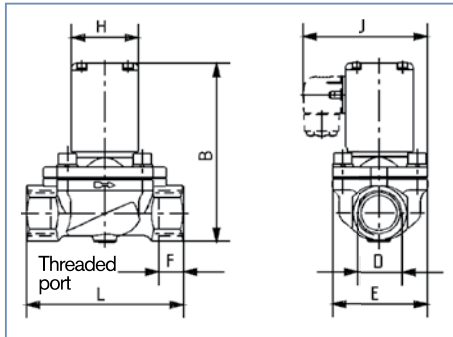
Solenoid valves

Ordering chart for valves (other versions on request) – all valves with cable plugs, brass bodies and various diaphragm materials

Circuit function	Orifice [mm]	Port connection [NPT]	Cv value water [GPM]	Pressure range [psij]	Body material	Voltage/ universal [AC/DC]	Approval ratings ²⁾	Order number	
A 2/2-way valve NC 	12	NPT 1/2	3.3	0 – 232	Brass	24	UR	453 877 X	
							UL	452 746 A	
							-	452 239 E	
						120	UL	453 058 D	
							240	UL	452 745 H
	12	NPT 1/2	3.3	0 – 232	Stainless Steel	24	UR	454 216 Z	
							UL	453 179 B	
							-	452 241 G	
						120	UL	452 819 U	
							240	UL	453 180 Z
	20	NPT 3/4	5.8	0 – 232	Brass	24	UR	453 878 G	
							UL	453 181 N	
							-	450 639 R	
						120	UL	453 182 P	
									450 836 X
							240	UR	455 291 W
	20	NPT 3/4	5.8	0 – 232	Stainless Steel	24	UR	454 412 N	
							UL	453 184 R	
							UR	453 792 S	
							UL	452 747 B	
									450 748 W
							240	UL	456 119 S
	25	NPT 1	11.7	0 – 232	Brass	24	UL	452 862 X	
							-	450 649 T	
							UR	453 793 T	
							UL	453 185 J	
									450 474 C
							240	UL	457 230 E
								450 824 T	
25	NPT 1	11.7	0 – 232	Stainless Steel	24	UL	453 187 L		
						-	452 253 C		
						UR	453 794 U		
						UL	453 188 V		
						240	UL	453 189 W	
32	NPT 1 1/4	18.0	0 – 174	Brass	24	-	455 624 T		
					120	-	453 641 A		
40	NPT 1 1/2	18.0	0 – 174	Brass	24	-	455 625 U		
					120	-	453 642 B		
					240	-	454 276 D		
50	NPT 2	44.0	0 – 174	Brass	120	-	453 643 C*		
					240	-	454 263 G*		

For 50 mm orifice and UC (universal current), the cable plug has an integrated single-phase bridge.

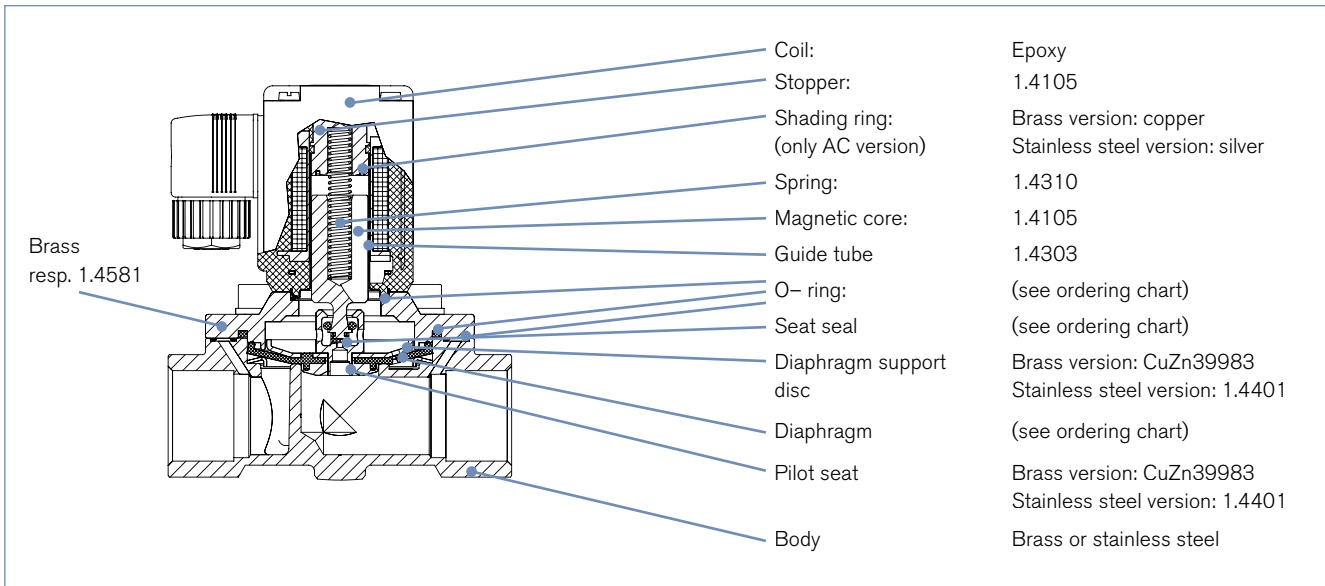
Dimensions [mm]



Dimensions [mm] according to DIN 2501

DN	D	B	E	F	H	J	L
12	NPT 1/2	95.5	40	14	40	73.0	74.5
20	NPT 3/4	122.0	60	16	49	86.5	100.0
25	NPT 1	131.0	70	18	49	91.5	115.0
32	NPT 1 1/4	145.0	85	20	49	99.0	126.0
40	NPT 1 1/2	154.0	85	22	49	99.0	126.0
50	NPT 2	211.0	115	24	72	126.0	164.0

Material



DTS 1000082395 EN Version: - Status: RL (released | freigegeben | validé) printed: 13.08.2008

INDUSTRIAL DYNAMICS CO

1-800-940-0453

In case of special application conditions,
please consult for advice.

We reserve the right to make technical
changes without notice.

0602/2_USen