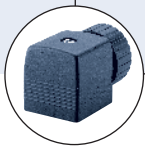


## 2/2-way Solenoid Valve for aggressive media, true union, Ø20-63

- Isolating diaphragm between the solenoid and fluid
- Non-metallic valve internals
- Pivoted armature, with lockable manual override
- Simple installation and removal

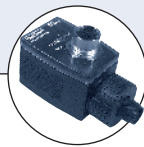
Type 0142 can be combined with...



**Type 2508**  
Cable plug



**Type 1078**  
Timer unit

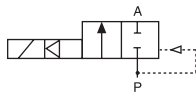


**Type 2511/12**  
ASI cable plug

Servo-assisted solenoid valve with diaphragm, normally closed function. Hermetic isolation of fluid from the actuator. A minimum differential pressure of 7 PSI is required to fully open the valve.

Valves can be mounted or removed radially for a space-saving installation.

### Circuit function A



2/2- way valve, normally closed, with 3-way pilot servo-assistance

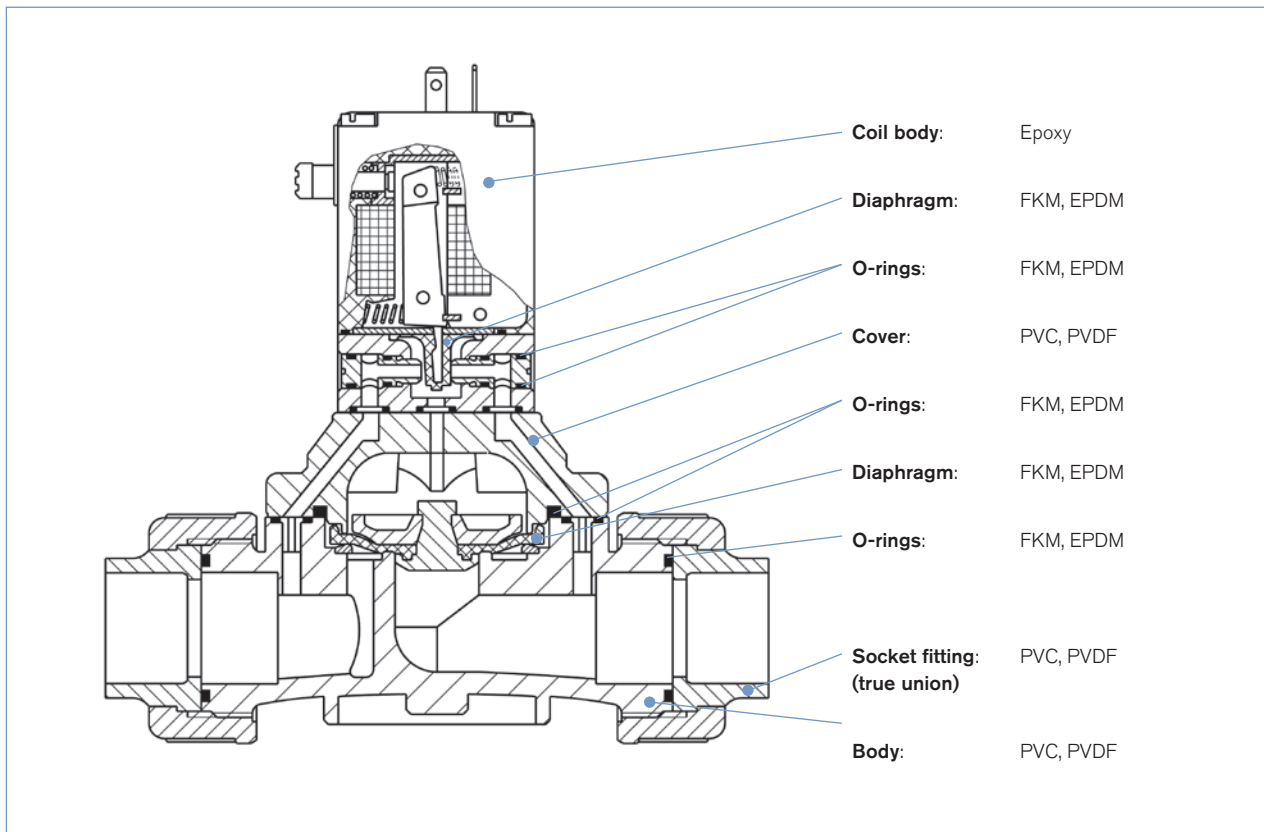
Technical data	
<b>Orifice</b>	DN 15 - 50
<b>Body material</b>	PVC, PVDF (on request)
<b>Inner part valve</b>	PVDF
<b>Seal material</b>	FKM, EPDM
<b>Media with EPDM with FKM</b>	Alkalis, alkaline washing and bleaching lyes Oxydizing acids and substances, salt solutions
<b>Media temperature</b> PVC-body PVDF-body	32°F to 122°F (0°C to +50°C) 32°F to 158°F (0°C to +70°C)
<b>Ambient temperature</b> PVC-body PVDF-body	32°F to 104°F (0°C to +40°C) 32°F to 131°F (0°C to +55°C)
<b>Voltage tolerance</b>	±10%
<b>Duty cycle</b>	100% continuous rating
<b>Electrical connection</b>	Cable plug for Ø 7 mm acc. to DIN EN 175301-803 Form A (supplied as standard)
<b>Protection class</b>	IP 65 with cable plug
<b>Coil insulation class</b>	Class H
<b>Port connection</b>	True union
<b>Installation</b>	as required, preferably with actuator upright

Power consumption			
Inrush		Hold (hot coil)	
AC [VA]	DC [W]	AC [VA/W]	DC [W]
20	5	11/5	5

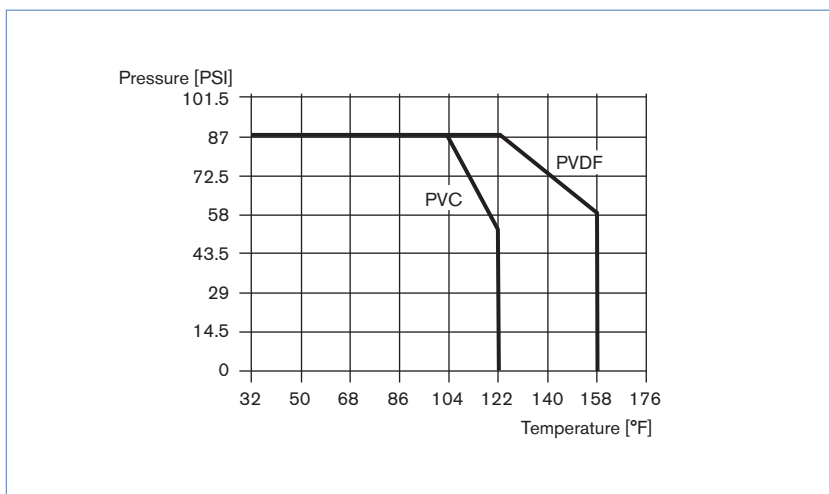
Response times <sup>1)</sup>	
Opening [ms]	100 - 800
Closing [ms]	1000 - 4000

<sup>1)</sup> Measured at valve outlet at 87 PSI and 68°F (+20°C) acc. to ISO 12238.  
Opening: Pressure rise 0 to 90%, Closing: Pressure drop 100 to 10%

Materials



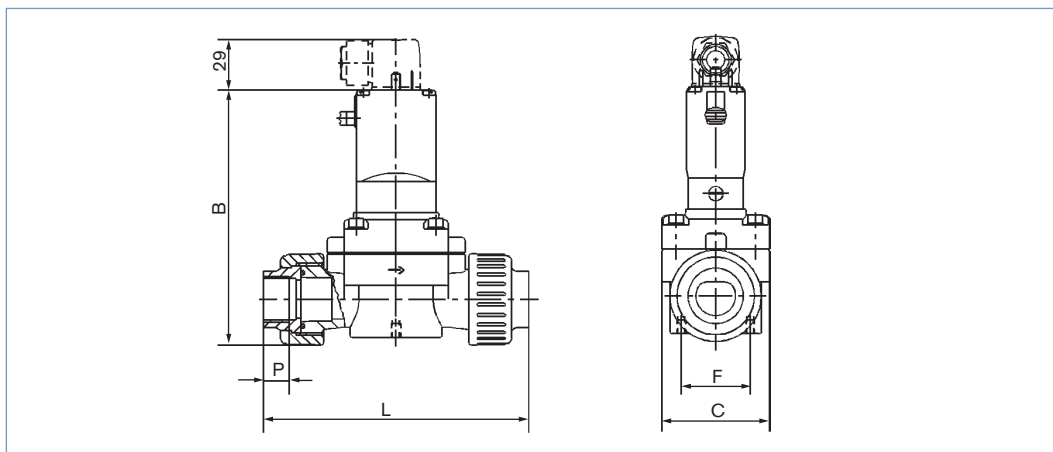
Pressure-Temperature-chart for PVC and PVDF



## Ordering chart

Circuit	Pressure Range [PSI]	Body Material	Seal Material	Port Connection	Orifice Value Size [inch]	C <sub>v</sub> [gpm]	Voltage/Frequency	Item no.
A	7-87	PVC	EPDM	1/2"	9/16"	5.8	24/DC	453 994
							24/60	454 302
							120/60	453 349
							240/60	457 214
				3/4"	3/4"	7.0	24/DC	453 988
							24/60	453 987
							120/60	453 350
							240/60	US01215
				1"	1"	16.3	24/DC	454 004
							24/60	US00569
							120/60	453 351
							240/60	456 283
				1 1/4"	1 1/4"	18.6	24/DC	US06217
							120/60	454 102
							240/60	US00283
				1 1/2"	1 1/2"	35.0	24/DC	US00165
							24/60	US01068
							120/60	453 352
							240/60	US01055
				2"	2"	41.9	24/DC	US01634
							24/60	US00574
							120/60	453 353
							240/60	US01454
				FKM	1/2"	9/16"	5.8	24/DC
			120/60					454 146
			240/60					US06525
			24/DC					US02219
			3/4"		3/4"	7.0	120/60	453 964
							24/DC	455 566
							120/60	455 024
							24/DC	US05647
			1"		1"	16.3	24/DC	US05647
							120/60	454 247
							24/DC	US05260
							120/60	454 232
			1 1/4"	1 1/4"	18.6	24/DC	454 232	
						120/60	454 232	
						24/DC	454 232	
						120/60	454 232	
			1 1/2"	1 1/2"	35.0	24/DC	454 232	
						120/60	454 232	
						24/DC	454 232	
						120/60	454 232	
			2"	2"	41.9	120/60	454 705	
						24/DC	454 909	
						120/60	457 922	
						24/DC	088 655	
			PVDF	7-87	PVC	EPDM	20mm	9/16"
120/60	457 922							
25mm	3/4"	7.0					24/DC	088 655
							120/60	US01997
31mm	1"	16.3					120/60	123 844
							120/60	US05588
50mm	1 1/2"	35.0				120/60	US05590	
						120/60	US05590	
63mm	2"	41.9				120/60	US05590	
						120/60	US05590	
FKM	20mm	9/16"				5.8	24/DC	088 662
							24/60	US06442
	25mm	3/4"	7.0	24/DC	088 661			
				24/60	150 496			
	31mm	1"	16.3	120/60	126 550			
				24/DC	089 941			
40mm	1 1/4"	18.6	120/60	US04203				
			24/DC	089 946				
50mm	1 1/2"	35.0	120/60	138 766				
			120/60	126 549				
63mm	2"	41.9	120/60	126 549				
			120/60	126 549				
B	7-87	PVC	EPDM	1/2"	9/16"	5.8	24/60	US05208
							24/DC	US01961
							120/60	US00134
				3/4"	3/4"	7.0	120/60	US00134
							24/DC	US02490
							120/60	US03687
				1"	1"	16.3	120/60	US07088
							240/60	US01600
							120/60	US00147
				1 1/4"	1 1/4"	18.6	120/60	US00147
							120/60	US01648
							120/60	US01648
			FKM	3/4"	3/4"	7.0	120/60	US06523
							120/60	US01483
				1"	1"	16.3	120/60	US05718
							120/60	US05344
				1 1/4"	1 1/4"	18.6	120/60	US05344
							120/60	453 594

## Dimensions [mm]



All versions					PVC-body		PVDF-body	
DN	Pipe Ø	B	C	F	L	P	L	P
15	20	148	62.5	40	148	16	147	16
20	25	148	62.5	40	154	19	151	18
25	32	174.5	85	44.5	190	22	185	20
32	40	174.5	85	44.5	198	26	189	22
40	50	212	115	44.5	254	31	245	25
50	63	212	115	44.5	268	38	253	29