

Maximum flow ranges from 4-12 GPM (15-45 LPM)
 Max pressure 300 PSI (20 Bar)
 Temperature range 32-210°F (2-99°C)

CP 1/4-1/2 Inch

UNIVERSAL[®] Flow Monitors

CoolPoint[™]

Vortex Shedding Flowmeter



Description

This flowmeter is made for water, water/glycol coolant or low viscosity fluids.

It has the following features:

- Flow rate transmitter 4-20 mA
- Solid state relay can be configured as alarm or pulse out
- LED digital display
- No moving parts to clog or wear
- Certified CSA and CE

Electrical Specifications

- Input Power: 10 - 30 VDC @ 80 mA
- Output: 4-20 mA for flow rate with 100 pulses per gallon from the solid state relay
- Electrical Connection
 - Pin Connector (standard)
 - Pigtails (optional)
 - Junction Box with terminal strip (optional)

Material Specifications

Flow bodies of brass or 316 Stainless Steel with PVDF sensors and Viton[®] seals standard. PEEK sensors used for high temp for fluids above 150° F.

User-Configurable Options

Features that are selectable on 4-20 mA units include:

- Selectable alarm state (N.O. or N.C.)
- Set point or pulse output
- Engineering units (GPM, LPM)

Instrument Specifications

- Flow
 - Visual readout: 3 digit LED, 0.3" digit height
 - Response time: 450 ms.
 - Deadband for Alarm: 5% of full scale (maximum flow)
 - Accuracy: ±2% of full scale
 - Repeatability: ±.25% of indicated flow
 - Turndown (ratio of max to minimum flow rates): 10:1 at all temperatures and 20:1 available optionally for standard temperatures.
- Pressure
 - 300 PSIG (20 Bar) operating pressure
- General
 - Fluid temperature limits: 35-150° F (2-66° C) standard, 150-210° F (66-99° C) optional.
 - Enclosure rating: IP 65, Type 1, 3, 4, 12 and 13
- Pipe Connections:
 - Female NPT, BSPP & BSPT
- Back pressure of 10 PSIG required. (See manual for elevated temperature.)

Viton[®] is a registered trademark for DuPont Performance Elastomers.

How To Order *Select the appropriate symbols to build a model code:*

MODEL CODES

Flow maximum GPM (LPM)	Pipe size in inches	Model code	Material	Thread options available	Connector or conduit box options available	Special options
4 (15)	1/4	CP2**	-M1*=Brass	T1* =NPT	C1* =Pin connector	W1 =20:1 extended turndown***
6 (22.7)	3/8	CP3	-M2=316 Stainless Steel	T2 =BSPT	C2 =Pig tails	E20 =High temp (150-210° F)
12 (45)	1/2	CP4		T3 =BSPP	C3 =Conduit box, terminal strip	

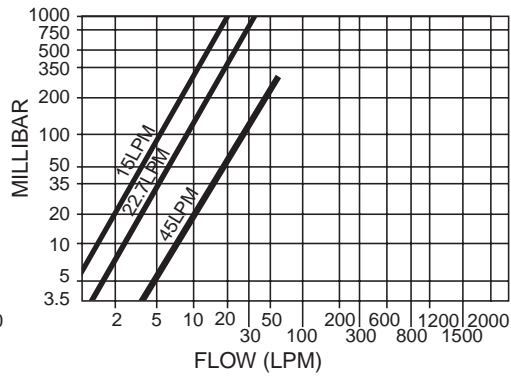
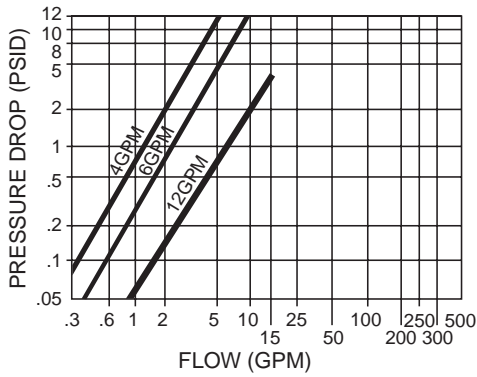
* Indicates default selection. If no selection is made, this option is assumed.

*** Not available on CP2
 *** Needs grounding
 *** Turndown is 20:1 standard temp.

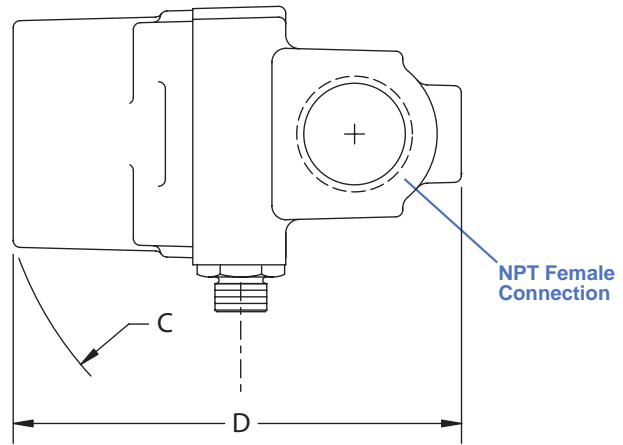
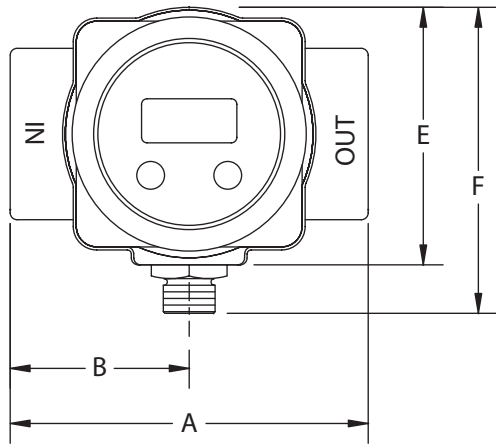
Example: CP2 is the same as CP2-M1T1C1

** Use schedule 40 pipe only

PRESSURE DROP

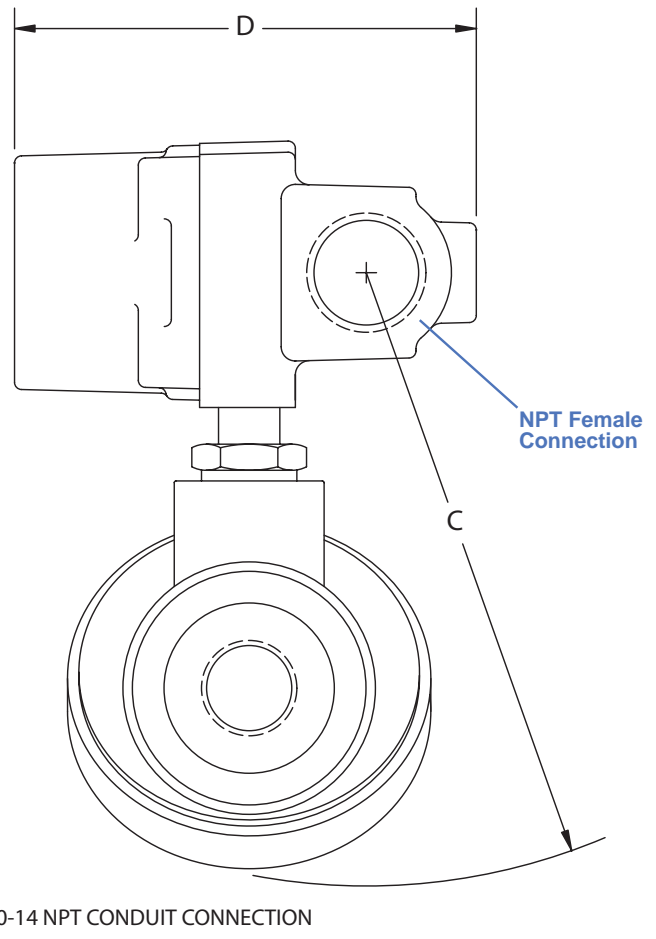
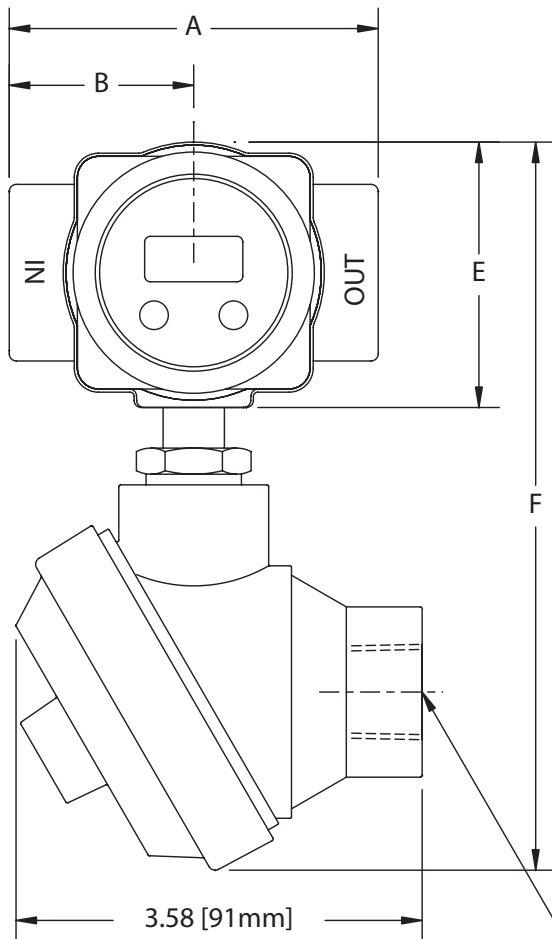


INSTALLATION DRAWING – BASIC METERS



Size	A	B	C	D	E	F
CP2 CP3 and CP4	3.25 [83mm]	1.62 [41mm]	3.25 [83mm]	4.07 [103mm]	2.34 [60mm]	2.77 [70mm]

INSTALLATION DRAWING – METERS WITH OPTIONAL JUNCTION BOX



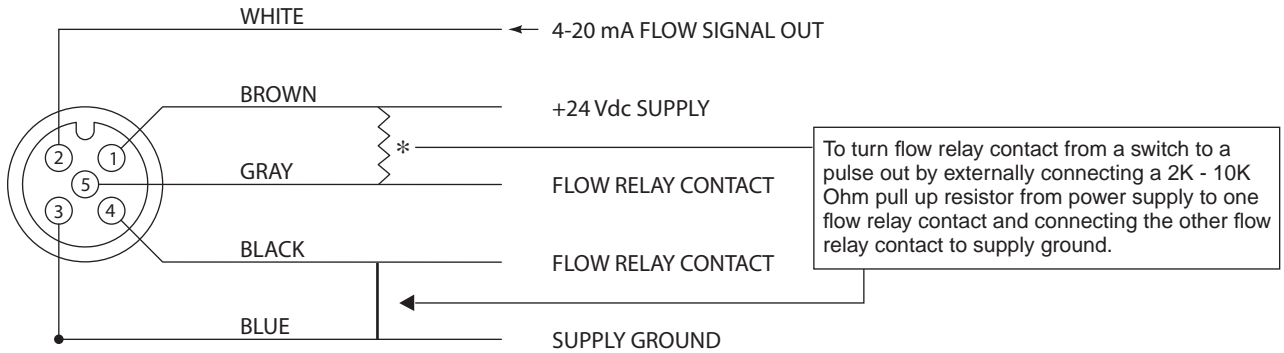
Size	A	B	C	D	E	F
CP2 CP3 and CP4	3.25 [83mm]	1.62 [41mm]	5.4 [137mm]	4.07 [103mm]	2.34 [60mm]	6.41 [163mm]

ACCESSORY CABLES AVAILABLE FOR PIN CONNECTOR METERS

Series	Description	Length in Meters	Part Number
CP	5 pin female	1	6241-1M
		3	6241-3M
		10	6241-10M

PIN CONNECTOR PINOUTS

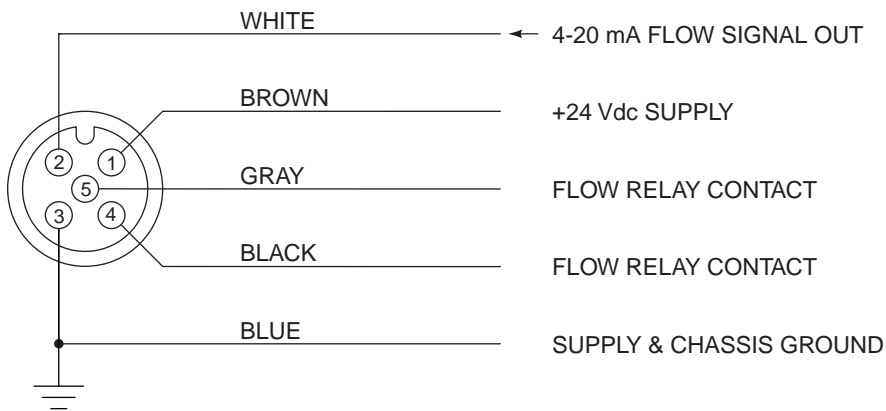
CP (FLOW ONLY)



CONFIGURATION:

- 1: + 24 VDC power supply
- 2: 4-20 mA flow signal out
- 3: supply ground
- 4: flow relay contact
- 5: flow relay contact

CP WITH W1 OPTION (GROUNDED)



CONFIGURATION:

- 1: + 24 VDC power supply
- 2: 4-20 mA flow signal out
- 3: supply & chassis ground
- 4: flow relay contact
- 5: flow relay contact



Universal Flow Monitors, Inc.

1755 E. Nine Mile Road ▪ P.O. Box 249 ▪ Hazel Park, MI 48030
 Tel: 248-542-9635 ▪ Fax: 248-398-4274
www.flowmeters.com

CP_SML_041910