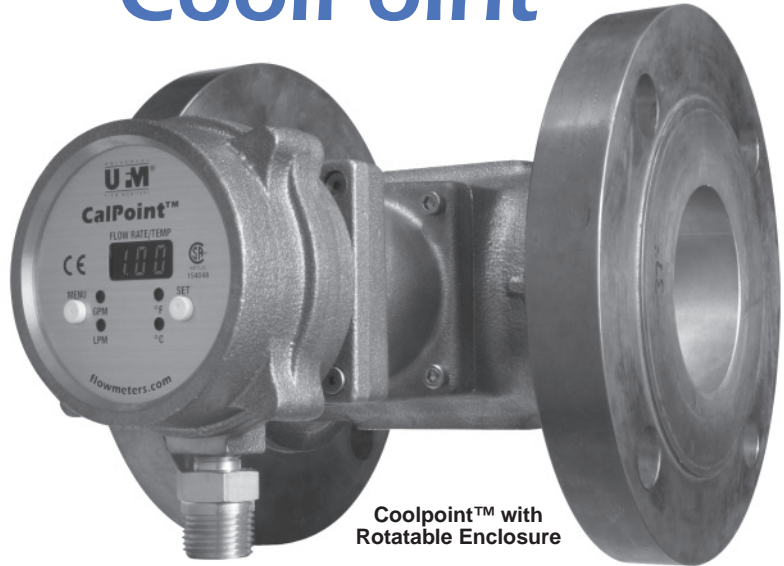


Maximum flow ranges from	300-600 GPM (1100-2300 LPM)	CP 3-4 Inch
Max pressure	200 PSI (13 Bar)	
Temperature range	32-210°F (2-99°C)	

UNIVERSAL[®] Flow Monitors

CoolPoint[™]

Vortex Shedding Flowmeter



Description

This flowmeter is made for water, water/glycol coolant or low viscosity fluids. It has the following features:

- Flow transmitter 4-20 mA
- Solid state relay configureable as alarm set points or pulse output
- LED digital display
- No moving parts to clog or wear
- Certified CSA and CE
- Optional temperature transmitter

Electrical Specifications

- Input Power: 10 - 30 VDC @ 80 mA
- Output: 4-20 mA with 25 pulses per gallon from the solid state relay
- Electrical Connection
 - Pin Connector (standard)
 - Pigtails (optional)
 - Junction Box with terminal strip (optional)

Material Specifications

Flow bodies of brass with PVDF sensors and Viton[®] seals standard. PEEK sensors used for high temp for fluids above 150° F.

User-Configurable Options

Features that are selectable on 4-20 mA/pulse out units include:

- Selectable alarm state (N.O. or N.C.)
- Set point or pulse output
- Rotatable control box standard for all units
- Engineering units (GPM, LPM)

Instrument Specifications

- Flow
 - Visual readout: 3 digit LED, 0.3" digit height
 - Response time: 7.5 seconds
 - Deadband for Alarm: 5% of full scale (maximum flow)
 - Accuracy: $\pm 2\%$ of full scale (maximum flow)
 - Repeatability: $\pm .25\%$ of indicated flow
 - Turndown (ratio of maximum to minimum): 10:1
- Temperature (CT units only)
 - Response time: 1.8 seconds
 - Deadband for Alarm: $\pm 2\%$
 - Accuracy: $\pm 1\%$ F.S.
 - Repeatability: $\pm .25\%$ of indicated flow
 - Output: 4 mA @32°F, 20mA @210°F linear
- Pressure
 - 200 PSIG (13 Bar) operating pressure
- General
 - Fluid temperature limits: 35-150° F (2-66° C) standard, 150-210° F (66-99° C) optional.
 - Back pressure of 10 PSIG required. (See manual for elevated temperature.)
 - Enclosure rating: IP 65, Type 1, 3, 4, 12 and 13
- Pipe Connections:
 - ANSI Class 150 R.F. Flanges

Viton[®] is a registered trademark for DuPont Performance Elastomers.

How To Order Select the appropriate symbols to build a model code:

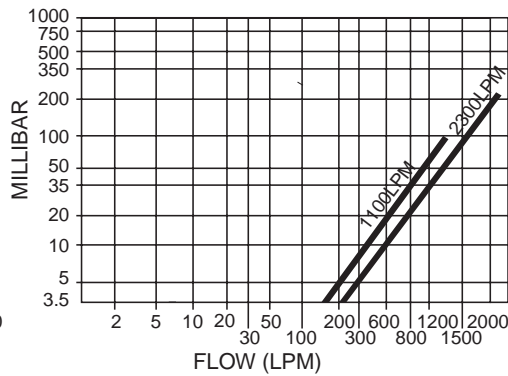
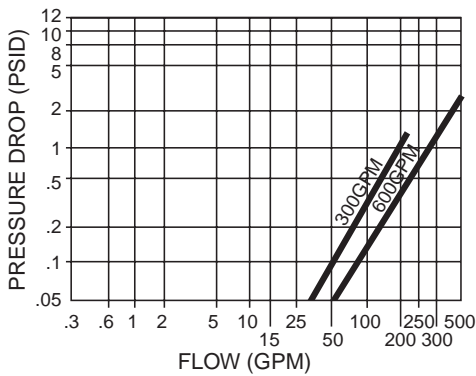
MODEL CODES

	Flow maximum GPM (LPM)	Pipe size in inches	Model code	Connector or conduit box options available	Special options
FLOW	300 (1136)	3	CP24	-C1* =Pin connector -C2 =Pig tails -C3 =Conduit box, terminal strip	E20 =High temp (150-210° F)
	600 (2271)	4	CP32		
FLOW AND TEMPERATURE	300 (1136)	3	CT24		
	600 (2271)	4	CT32		

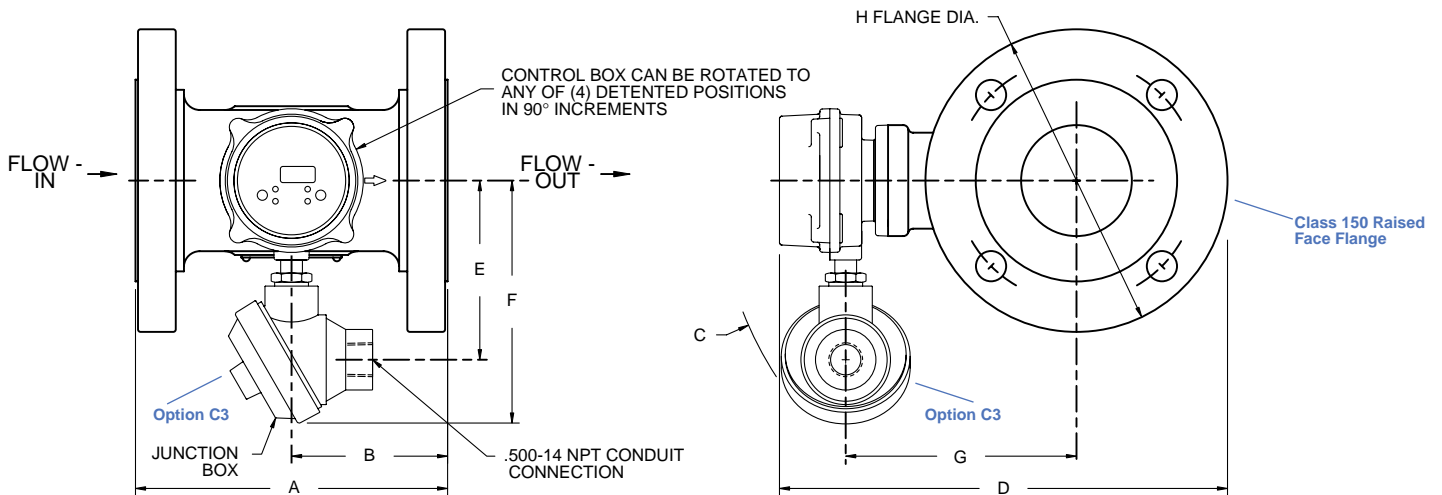
* Indicates default selection. If no selection is made, this option is assumed.

Example: CP24 is the same as CP24-C1

PRESSURE DROP



INSTALLATION DRAWING – 3" AND 4" PORT SIZE



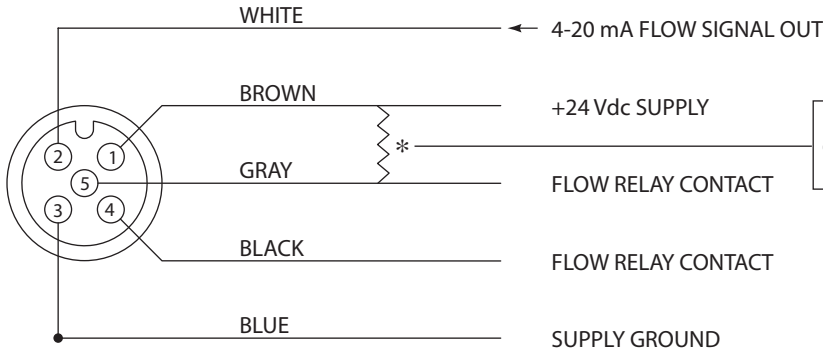
Size	A	B	C	D	E	F	G	H
CP24	7.75	3.88	8.90	11.13	4.44	6.03	5.73	7.50
CT24	[197mm]	[99 mm]	[226 mm]	[283 mm]	[113 mm]	[153 mm]	[146 mm]	[191 mm]
CP32	10.75	5.38	9.46	12.57	4.44	6.03	6.43	9
CT32	[273 mm]	[137 mm]	[240 mm]	[319 mm]	[113 mm]	[153 mm]	[163 mm]	[229 mm]

ACCESSORY CABLES AVAILABLE FOR PIN CONNECTOR METERS

Series	Description	Length in Meters	Part Number
CP	5 pin female	1	6241-1M
		3	6241-3M
		10	6241-10M
CT	8 pin female	2	6242-2M
		5	6242-5M
		10	6242-10M

PIN CONNECTOR PINOUTS

CP (FLOW ONLY)

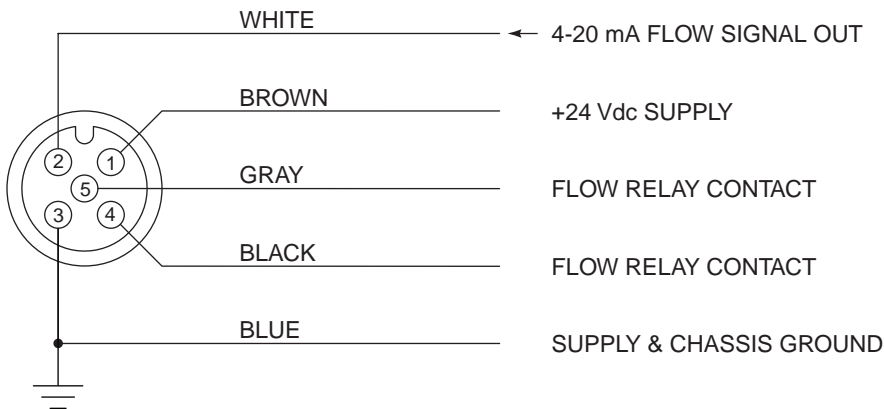


Use pull up resistor (2-10K Ohm) to turn open collector signal (flow relay contact) into a pulse.

CONFIGURATION:

- 1: + 24 VDC power supply
- 2: 4-20 mA flow signal out
- 3: supply ground
- 4: flow relay contact
- 5: flow relay contact

CT (FLOW AND TEMPERATURE)



CONFIGURATION:

- 1: + 24 VDC power supply
- 2: 4-20 mA flow signal out
- 3: supply & chassis ground
- 4: flow relay contact
- 5: flow relay contact



Universal Flow Monitors, Inc.

1755 E. Nine Mile Road ▪ P.O. Box 249 ▪ Hazel Park, MI 48030
 Tel: 248-542-9635 ▪ Fax: 248-398-4274
www.flowmeters.com

CP_LRG_040910